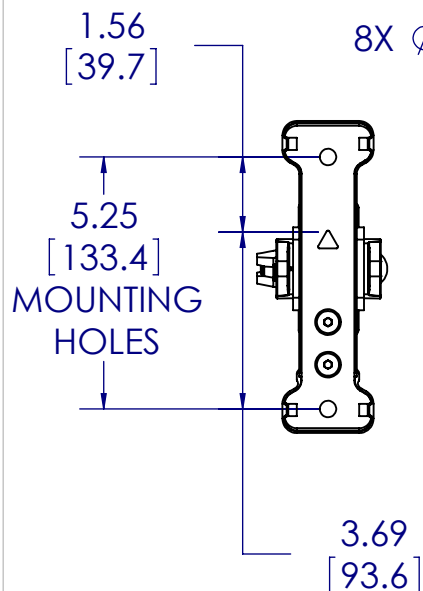
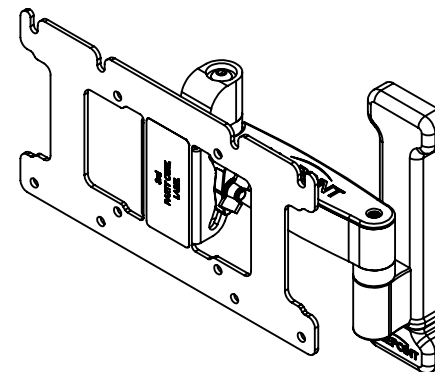
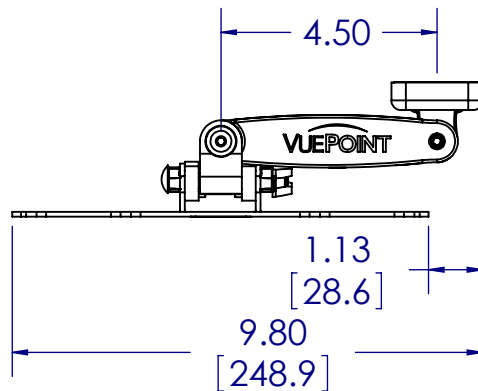
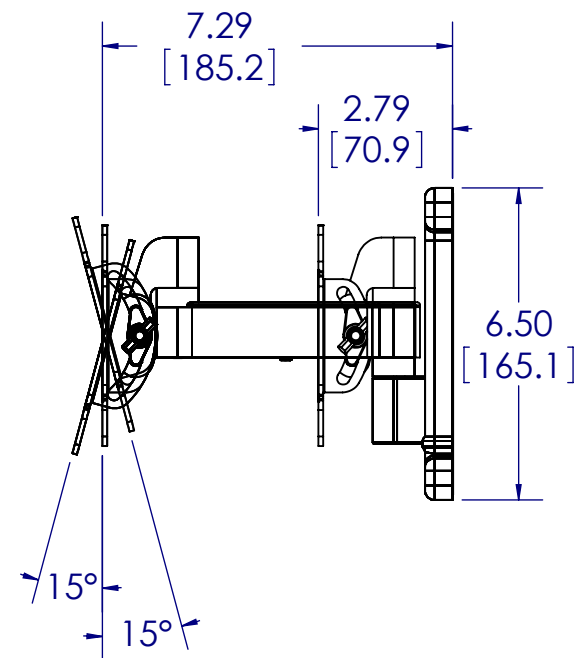
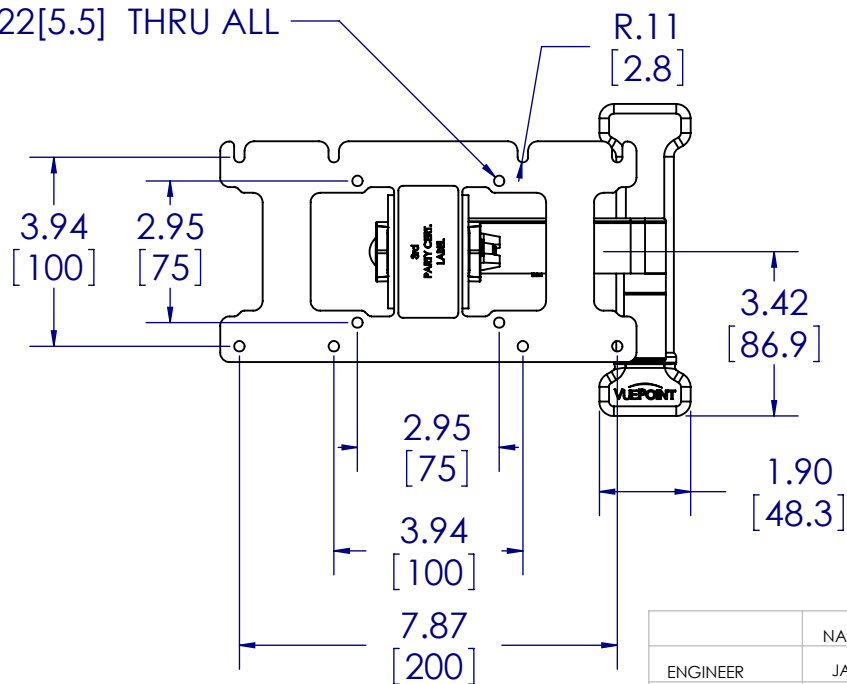


**MAXIMUM WEIGHT CAPACITY:
30 LBS.
VESA 75X75 100X100 100X200
in [mm]**



8X ϕ .22 [5.5] THRU ALL



	NAME	DATE	SANUS SYSTEMS
ENGINEER	JAS	9/10/08	
DESIGNER	RAH	9/10/08	
APPROVED	JAS	9/10/08	
NOTES:			TITLE:
			F107
TEMPLATE REV.: 04			SHEET 1 OF 1

PROPRIETARY AND CONFIDENTIAL
THE INFORMATION CONTAINED IN THIS DRAWING IS THE SOLE PROPERTY OF SANUS SYSTEMS. ANY REPRODUCTION IN PART OR AS A WHOLE WITHOUT THE WRITTEN PERMISSION OF SANUS SYSTEMS IS PROHIBITED.