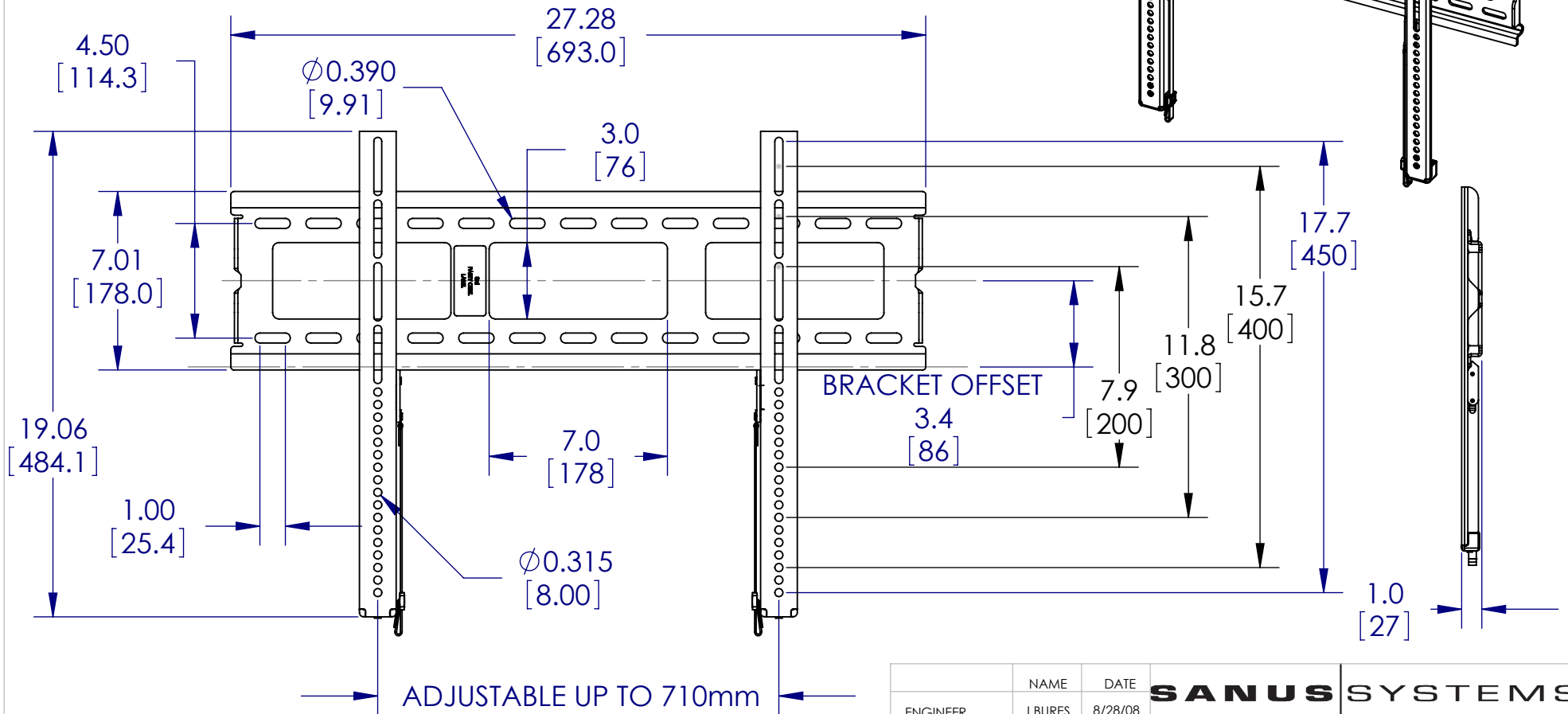


**WEIGHT CAPACITY:  
130lbs  
in [mm]**



	NAME	DATE	<b>SANUS SYSTEMS</b>
ENGINEER	J BURES	8/28/08	
DESIGNER	RAH	8/28/08	
APPROVED	J BURES	8/28/08	
NOTES:			TITLE: <b>F55</b>
TEMPLATE REV.: 05			
			SHEET 1 OF 1

**PROPRIETARY AND CONFIDENTIAL**

THE INFORMATION CONTAINED IN THIS DRAWING IS THE SOLE PROPERTY OF SANUS SYSTEMS, A PRODUCT DIVISION OF MILESTONE AV TECHNOLOGIES. ANY REPRODUCTION IN PART OR AS A WHOLE WITHOUT THE WRITTEN PERMISSION OF SANUS SYSTEMS IS PROHIBITED.