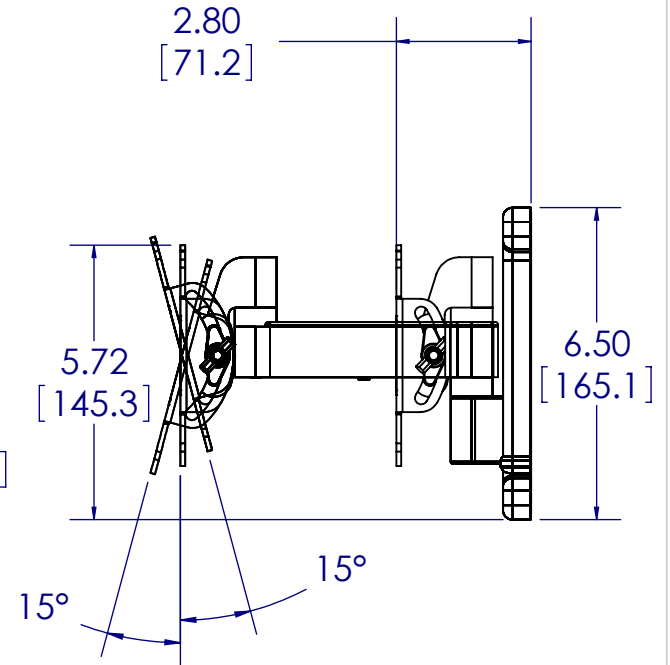
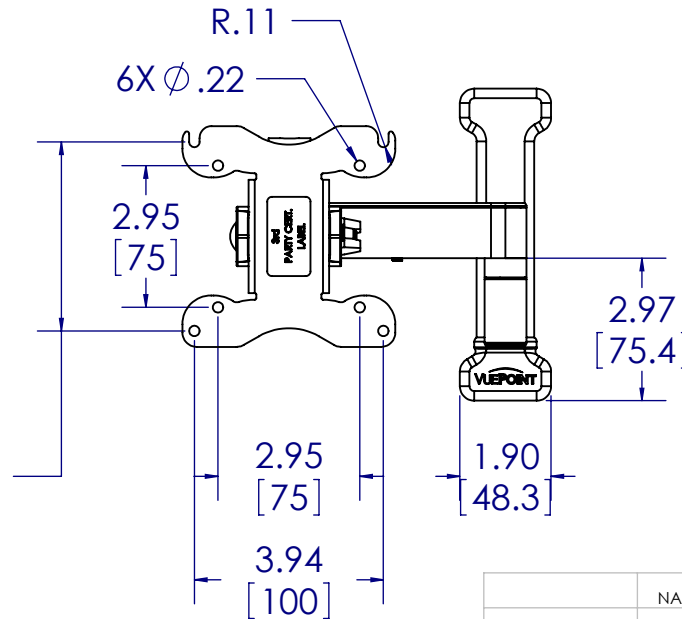
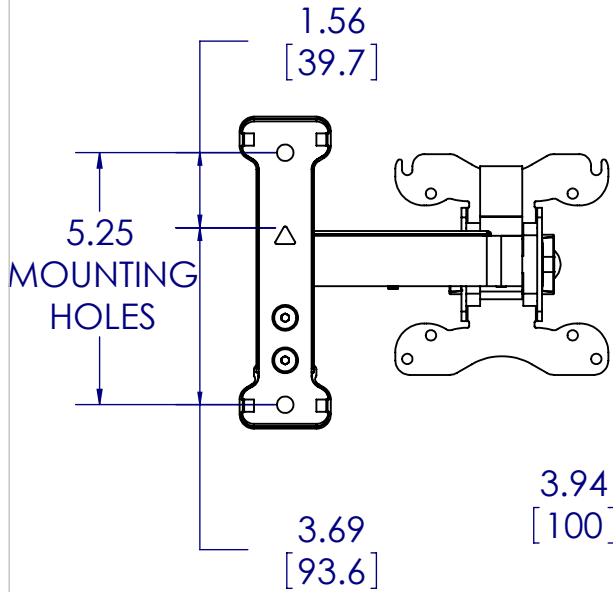
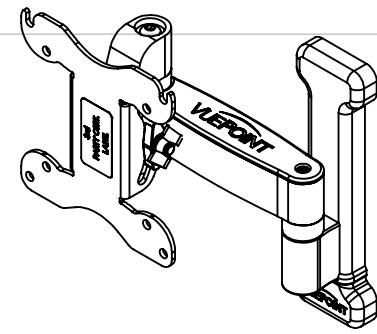
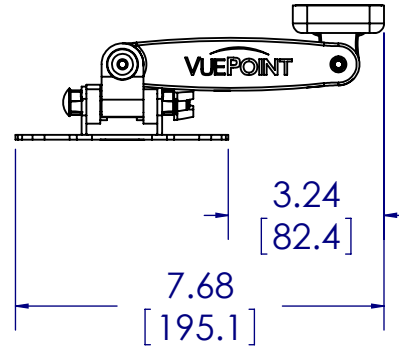


MAXIMUM WEIGHT CAPACITY:  
30 LBS.  
VESA 75X75 100X100  
in [mm]



	NAME	DATE	<b>SANUS SYSTEMS</b> TITLE: <h1>FPM107SF</h1>
ENGINEER	J BURES	9/18/07	
DESIGNER	JKV	11/8/07	
APPROVED	JAS	2/21/08	
NOTES:			
TEMPLATE REV.: 04			SHEET 1 OF 1

**PROPRIETARY AND CONFIDENTIAL**  
THE INFORMATION CONTAINED IN THIS DRAWING IS THE SOLE PROPERTY OF  
IN PART OR AS A WHOLE WITHOUT THE WRITTEN PERMISSION OF SANUS SYSTEMS IS PROHIBITED.