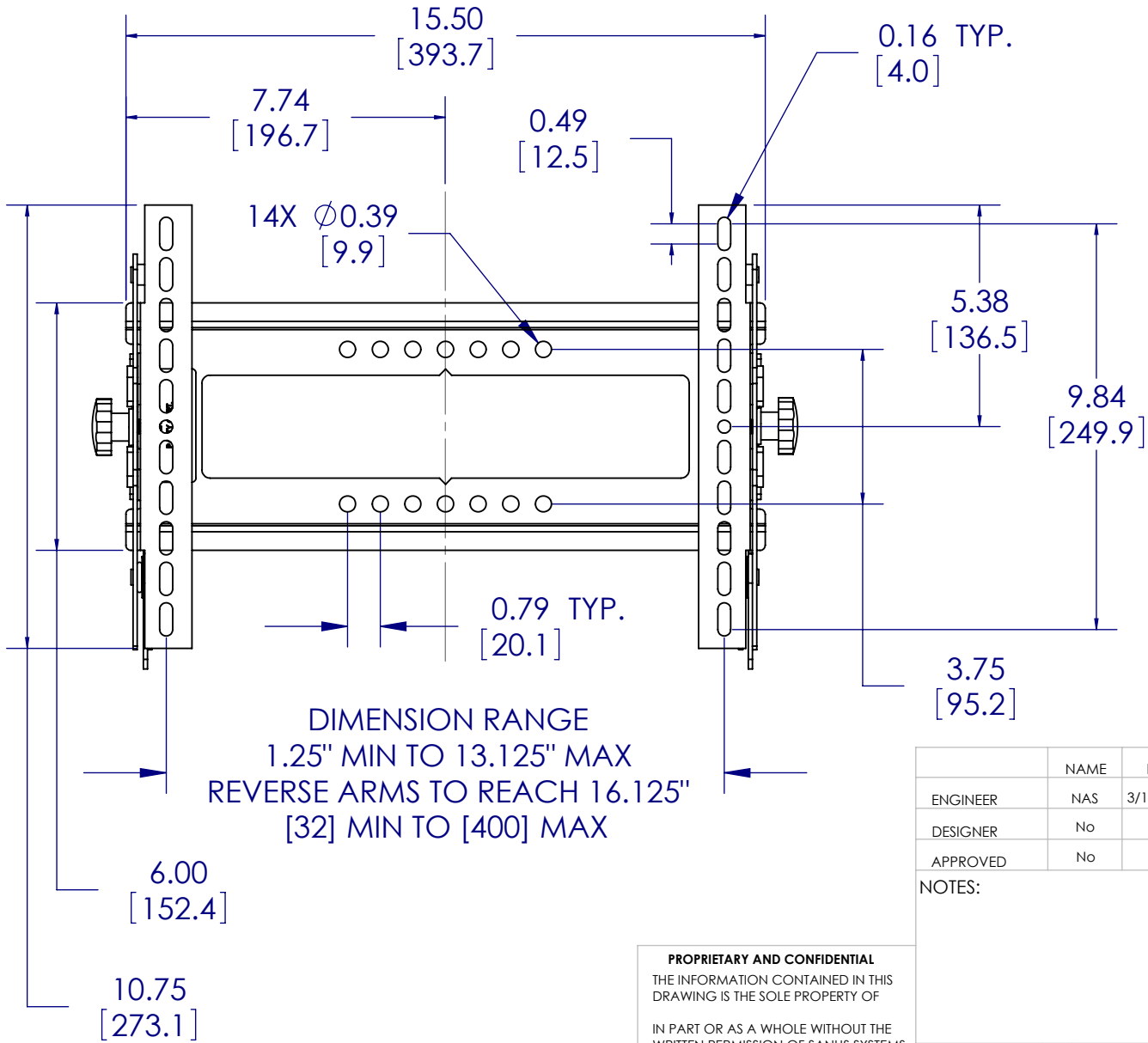
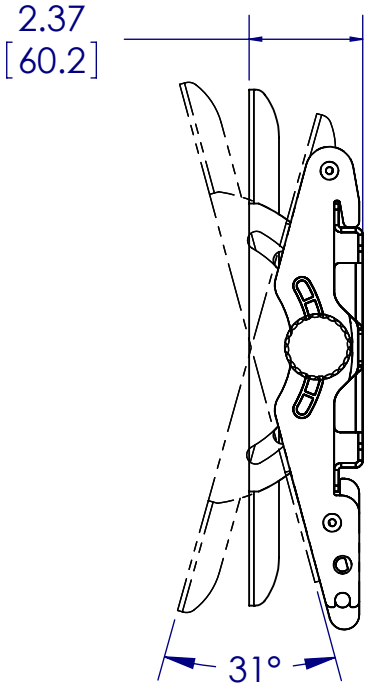
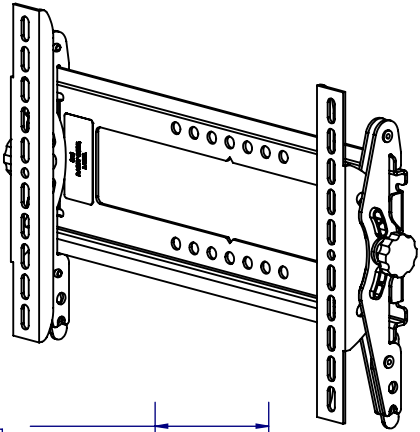


MAXIMUM WEIGHT CAPACITY:
80 LBS.
in[mm]



DIMENSION RANGE
1.25" MIN TO 13.125" MAX
REVERSE ARMS TO REACH 16.125"
[32] MIN TO [400] MAX



	NAME	DATE
ENGINEER	NAS	3/17/2006
DESIGNER	No	No
APPROVED	No	No

SANUS SYSTEMS

TITLE:
FPM25MT-XX

NOTES:

PROPRIETARY AND CONFIDENTIAL
THE INFORMATION CONTAINED IN THIS
DRAWING IS THE SOLE PROPERTY OF

IN PART OR AS A WHOLE WITHOUT THE
WRITTEN PERMISSION OF SANUS SYSTEMS
IS PROHIBITED.

TEMPLATE REV.: 04

SHEET 1 OF 1