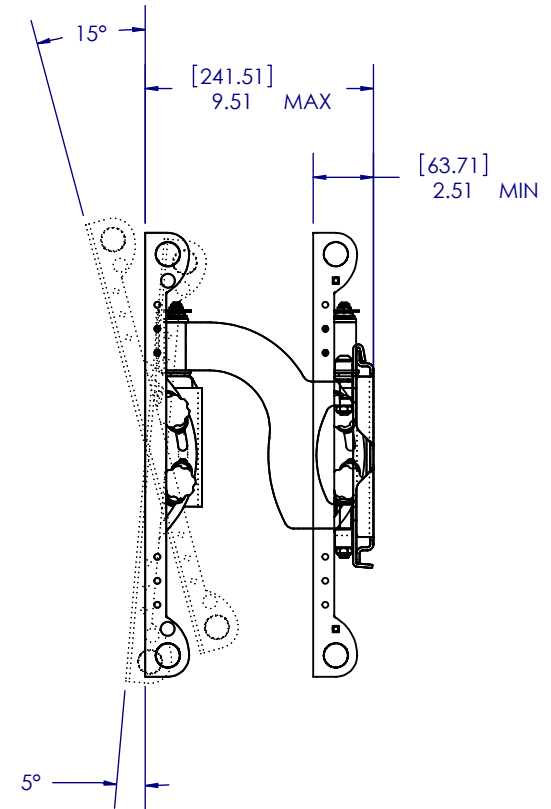
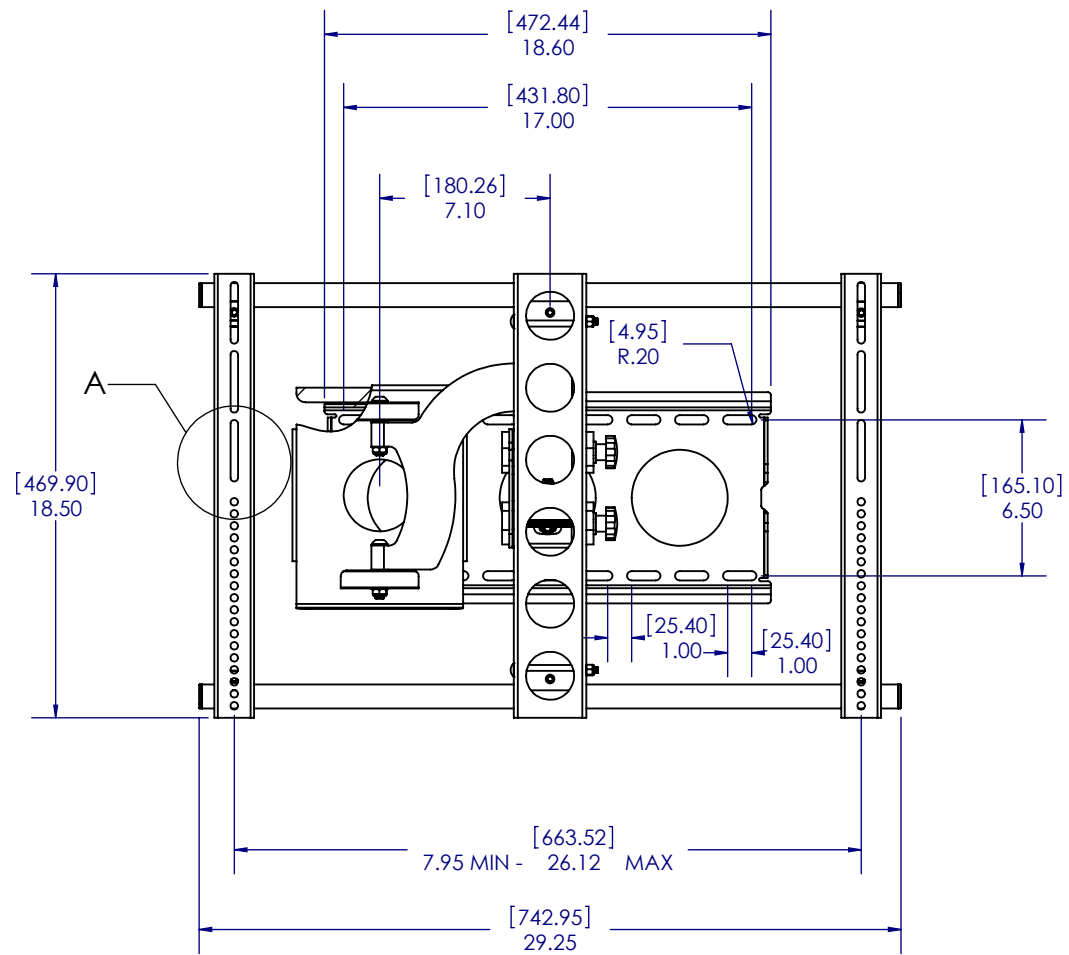
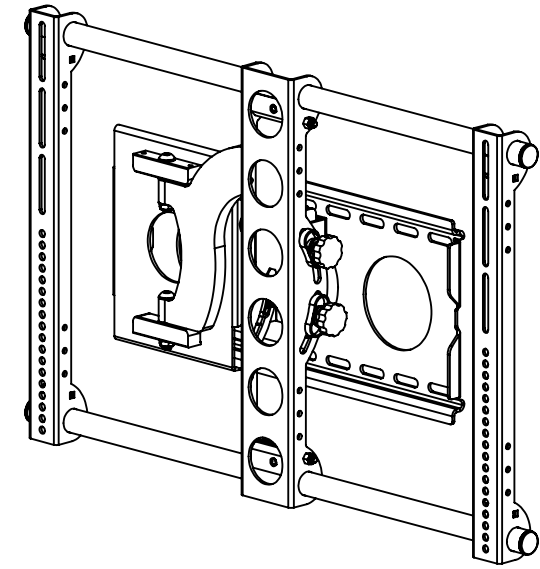
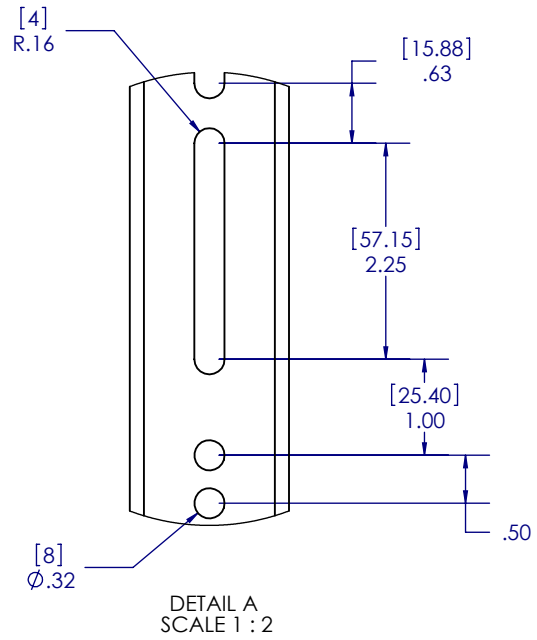


MAX WEIGHT CAPACITY:  
130 LBS  
TILT; +5 DEG/-15 DEG  
[MM] IN



ENGINEER	NAME NAS	DATE 3/8/2006	<b>SANUS SYSTEMS</b>
DESIGNER	No	No	
APPROVED	No	No	TITLE: <b>FPM70 TECHNICAL DRAWING</b>
NOTES:			
TEMPLATE REV.:	05	2	SHEET 1 OF 1

**PROPRIETARY AND CONFIDENTIAL**  
THE INFORMATION CONTAINED IN THIS DRAWING IS THE SOLE PROPERTY OF SANUS SYSTEMS, A PRODUCT DIVISION OF MILESTONE AV TECHNOLOGIES. ANY REPRODUCTION IN PART OR AS A WHOLE WITHOUT THE WRITTEN PERMISSION OF SANUS SYSTEMS IS PROHIBITED.