

HTBS INSTRUCTION MANUAL

We'll Make It Stress-Free

If you have any questions along the way, just give us a call.
1-888-333-9952. We're ready to help!

Scan for more info

san.us/256



Before You Begin

Please check the following items:

- The speakers you plan to use do not exceed the specified weight limit.
- You read and understand these directions.
- You have the tools needed for installation.

If you do not understand these instructions, or have doubts about the safety of the installation, assembly or use of this product, contact Customer Service or call a qualified contractor.

▲ CAUTION: Avoid potential personal injuries and property damage!

- Do not use this product for any purpose not explicitly specified by manufacturer
- Manufacturer is not responsible for damage or injury caused by incorrect assembly or use

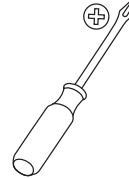


NOTE: Para instrucciones en Español, ver páginas 14-15.

Weight Limit



Tools Needed



Supplied Parts and Hardware

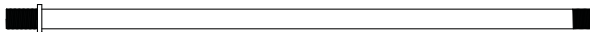
⚠ WARNING: This product contains small items that could be a choking hazard if swallowed. Before starting assembly, verify all parts are included and undamaged. If any parts are missing or damaged, do not return the damaged item to your dealer; contact Customer Service. Never use damaged parts!



NOTE: Not all hardware included will be used.

Parts and Hardware

Lower Pillars



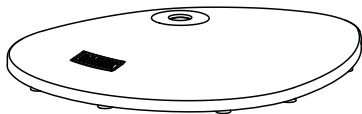
01 (2)

Upper Pillars



02 (2)

Bases



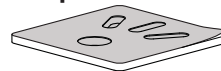
03 (2)

Top Plates



04 (2)

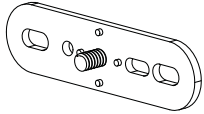
Speaker Pads



05 (2)

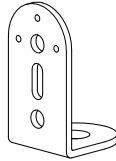
Parts and Hardware Continued

Speaker Brackets



06 (2)

Speaker Brackets



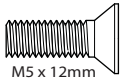
07 (2)

Speaker Bracket Knobs



08 (2)

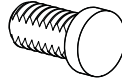
Speaker Bracket Screws



M5 x 12mm

09 (2)

Keyhole Speaker Screws



1/4-20 x 12mm

10 (2)

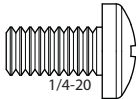
Speaker Bracket Screws



M5 x 12mm

11 (4)

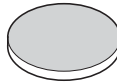
Speaker Bracket Screws



1/4-20

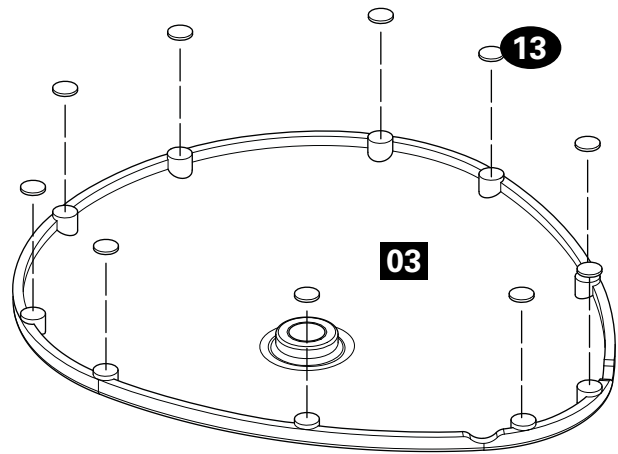
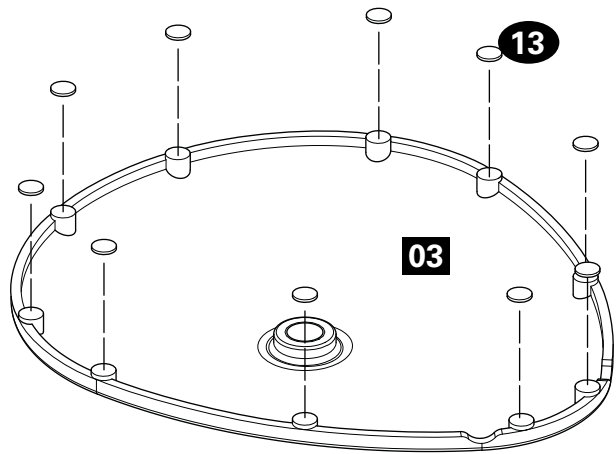
12 (4)

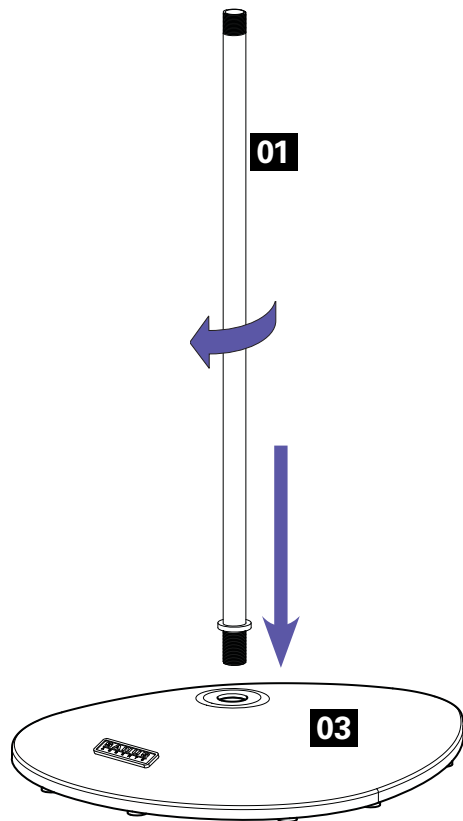
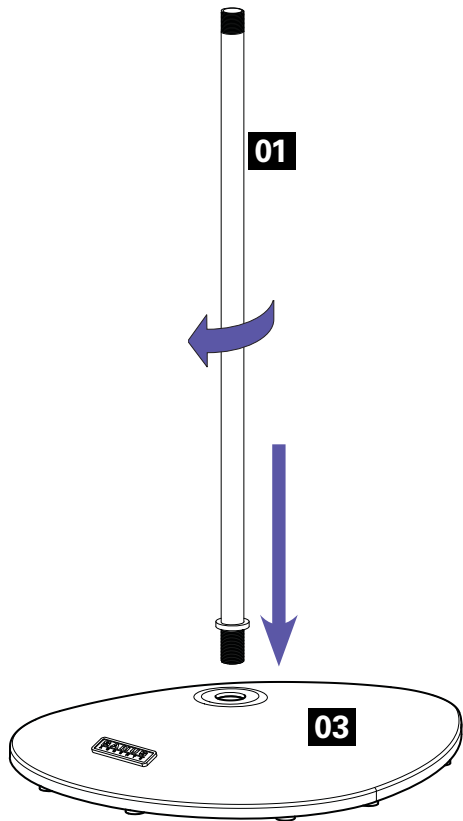
Base Pads



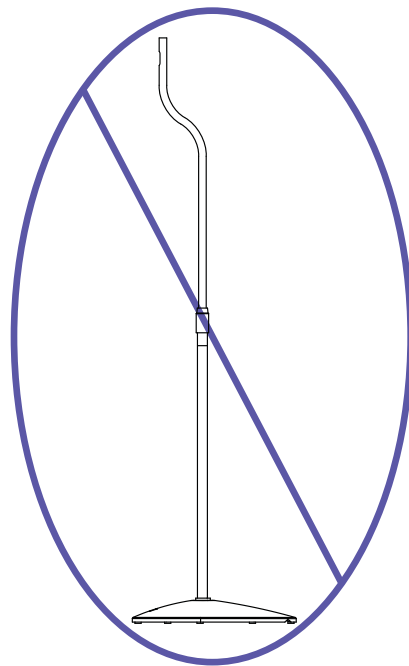
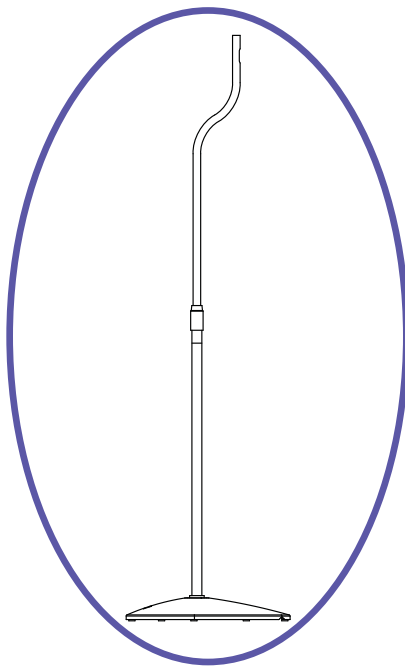
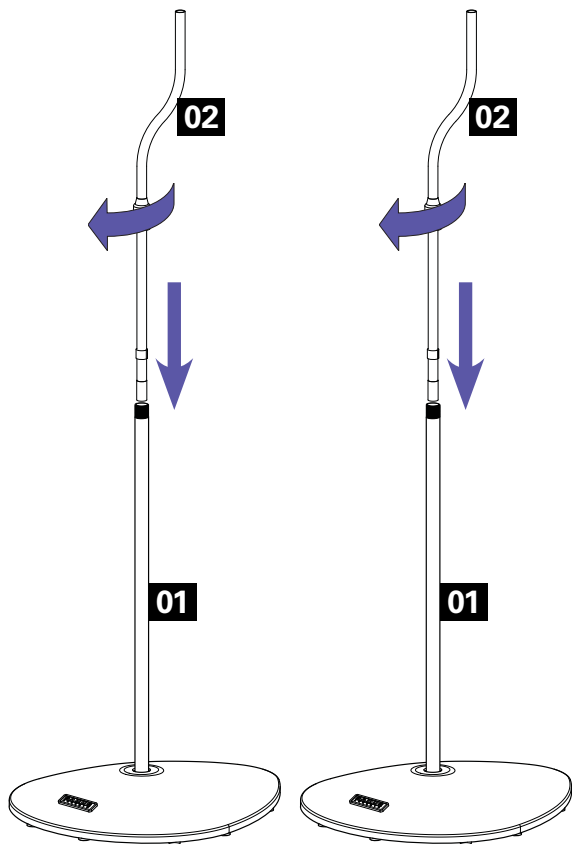
13 (20)

STEP 1

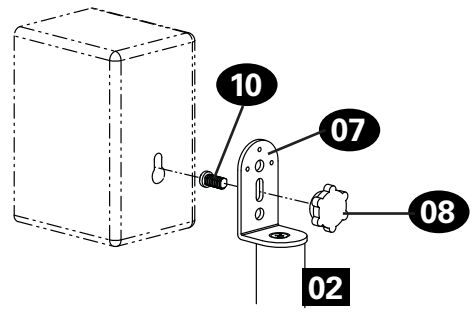
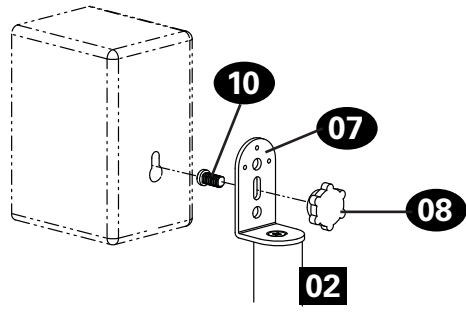
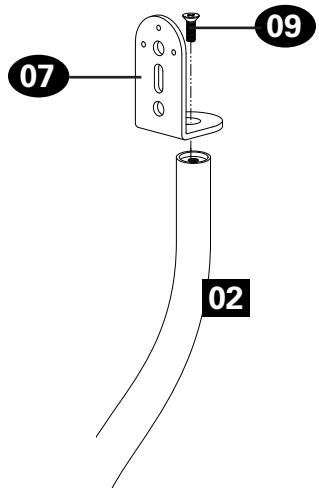
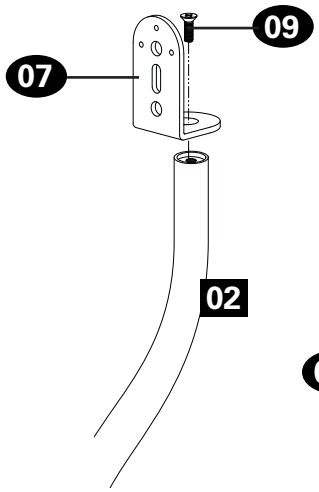




STEP 3

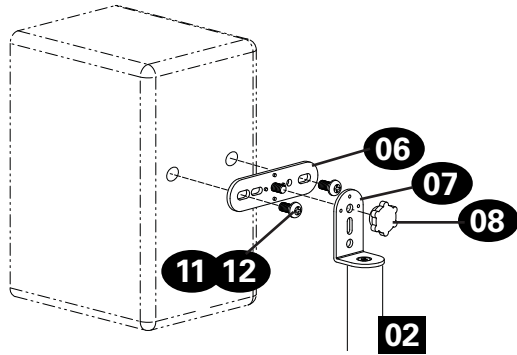
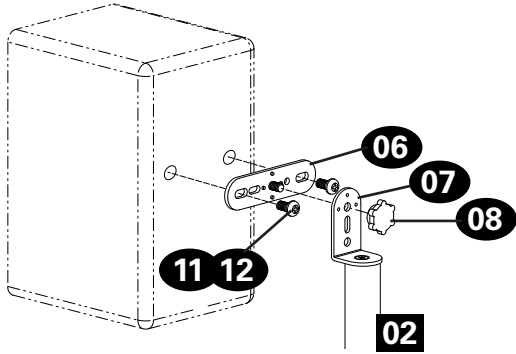


OR

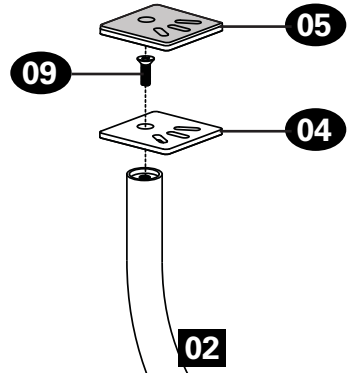
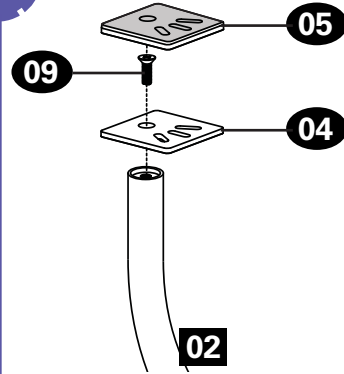


STEP 4

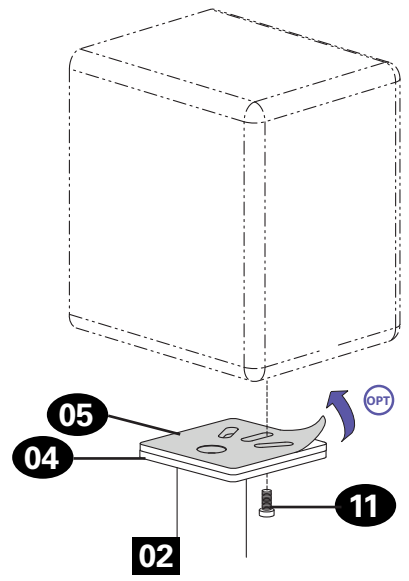
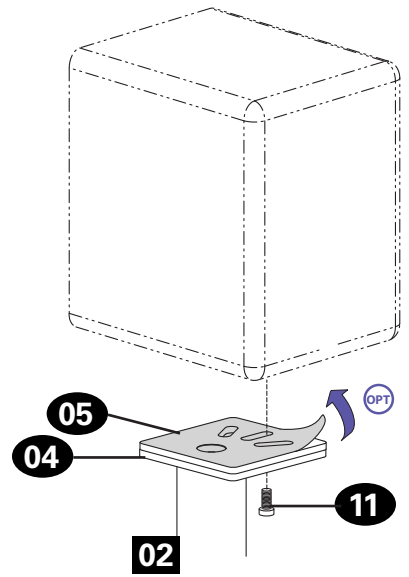
OR



OR



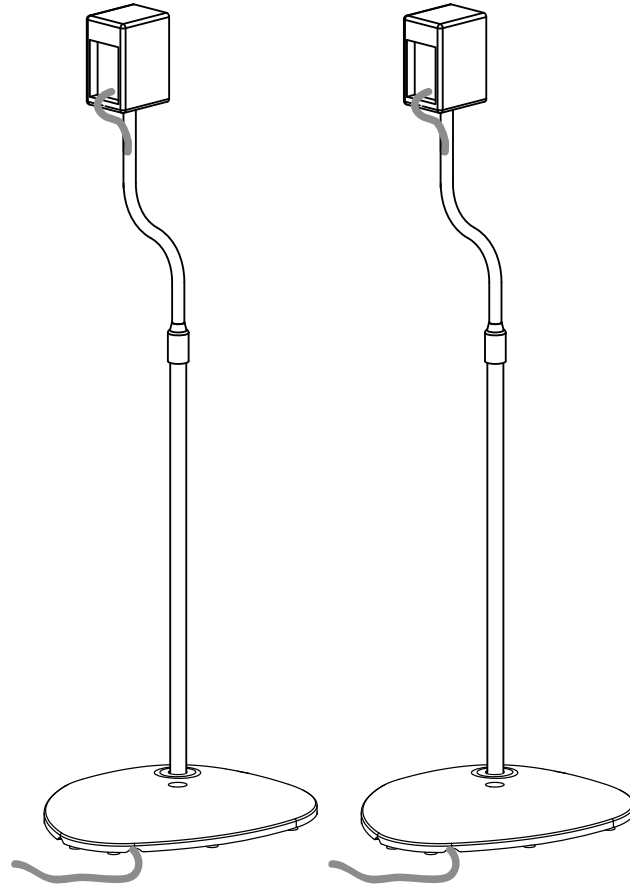
OR



STEP 5

⚠ CAUTION

Disconnect the speaker wire from the receiver or amplifier when you route it through the upper and lower pillar, and out through the base to avoid damage to the speakers, amplifier, or receiver.



INSTRUCCIONES DE SEGURIDAD IMPORTANTES. CONSÉRVELAS. LEA TODO EL MANUAL ANTES DE UTILIZAR ESTE PRODUCTO.

Antes de comenzar

Cerciórese de:

- no excedan el límite de peso especificado;
- haber leído y comprendido estas instrucciones;
- tener todas las herramientas necesarias para la instalación.

Si no entiende las instrucciones o si tiene dudas acerca de la seguridad de la instalación, del ensamblado o del uso del producto, contáctese con el servicio de atención al cliente o llame a un técnico calificado.

▲ PRECAUCIÓN: Evite posibles lesiones personales y daños materiales.

- No utilice este producto para ningún otro propósito que no sea el explícitamente especificado por el fabricante
- El fabricante no se responsabiliza por ningún daño o lesión resultante del montaje incorrecto o del uso indebido

Peso límite

Herramientas necesarias

Piezas y Materiales Suministrados

⚠ WARNING: Este producto contiene piezas de pequeño tamaño que podrían significar un peligro al ser ingeridas. Mantener fuera del alcance de los niños pequeños.

Antes de iniciar el ensamblaje, comprobar que se encuentran incluidas y en buenas condiciones todas las piezas. Si falta o está deteriorada alguna pieza, no devuelva el artículo a su concesionario; póngase en contacto con el servicio de atención al cliente de. ¡No utilice nunca piezas deterioradas!



NOTA: No habrá que utilizar todo el material.

PASO 5

⚠ PRECAUCIÓN:

Desconecte el cable del altavoz del receptor o el amplificador cuando lo introduzca a través del poste superior e inferior y lo saque a través de la base, a fin de evitar que se deterioren los altavoces, el receptor o el amplificador.



Thank you for choosing Sanus VuePoint!

Please take a moment to let us know how we did:



Call us: 888-333-9952

UK: 0800 056 2853



Email us: info@sanus.com



Leave a review: vuepoint.sanus.com

Milestone AV Technologies and its affiliated corporations and subsidiaries (collectively, "Milestone"), intend to make this manual accurate and complete. However, Milestone makes no claim that the information contained herein covers all details, conditions, or variations. Nor does it provide for every possible contingency in connection with the installation or use of this product. The information contained in this document is subject to change without notice or obligation of any kind. Milestone makes no representation of warranty, expressed or implied, regarding the information contained herein. Milestone assumes no responsibility for accuracy, completeness or sufficiency of the information contained in this document.

©2013 Milestone AV Technologies, a Duchossois Group Company. All rights reserved. Sanus is a division of Milestone.
All other brand names or marks are used for identification purposes and are trademarks of their respective owners.