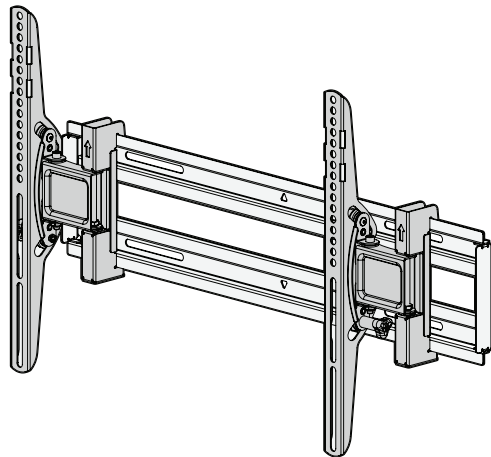


# SANUS™

V U E P O I N T

## FLT1

# INSTRUCTION MANUAL



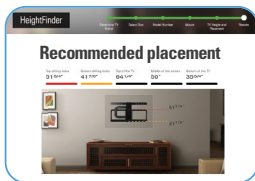
## WE'RE HERE TO HELP



Want to watch a video that shows how easy this DIY project will be?



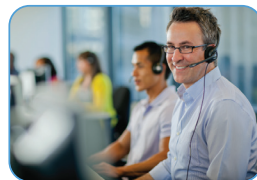
Watch it now at:  
[SANUS.com/2691](https://www.sanus.com/2691)



Get it right the first time. HeightFinder™ shows you where to drill.



Check it out at:  
[SANUS.com/1171](https://www.sanus.com/1171)



Our US-based install experts are standing by to help.



Call us at:  
**888-333-9952**



Or, chat at:  
[SANUS.com/chatSV](https://www.sanus.com/chatSV)

Please read through these instructions completely to be sure you're comfortable with this easy install process.

Check your TV owner's manual to see if there are any special requirements for mounting your TV.

If you do not understand these instructions or have doubts about the safety of the installation, assembly or use of this product, contact Customer Service.

**⚠ CAUTION:** Avoid potential personal injuries and property damage!

- This product is designed ONLY to be installed into wood studs, solid concrete\* or concrete block\*, and steel studs\*, — **DO NOT INSTALL INTO DRYWALL ALONE — DRYWALL ALONE WILL NOT HOLD THE WEIGHT OF YOUR TV.**  
\*For information on how to use this product with concrete or steel stud walls contact Customer Service and ask about the mounting kit.
- This product is designed for **INDOOR USE ONLY.**
- The wall must be capable of supporting five times the weight of the TV and mount combined.
- Do not use this product for any purpose not explicitly specified by manufacturer.
- Manufacturer is not responsible for damage or injury caused by incorrect assembly or use.

**TV Weight Limit**  
(including accessories)

**DO NOT EXCEED!**



**If your TV (plus accessories) weighs MORE,**  
this mount is NOT compatible.

Visit [MountFinder.Sanus.com](https://MountFinder.Sanus.com) or call  
customer service to find a compatible mount.

# Wall Construction

ONLY install on these acceptable wall types.

? Unsure

Call Customer Service:  
1-888-333-9952

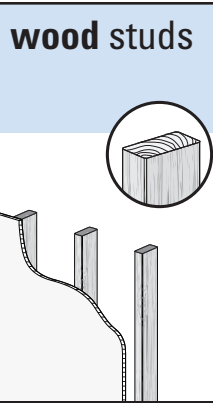
**⚠ CAUTION:**

**DO NOT**  
install in  
drywall  
alone



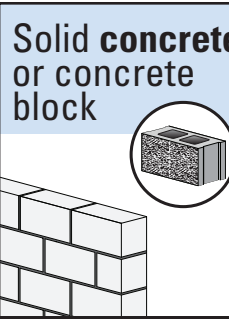
Drywall alone  
will NOT hold the  
weight of your TV

**wood studs**



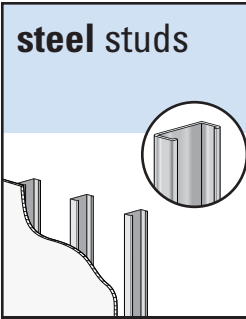
**ACCEPTABLE**

**Solid concrete  
or concrete  
block**



**ACCEPTABLE**  
Concrete kit #CMK1 is  
required [NOT INCLUDED]  
Call Customer Service

**steel studs**



**ACCEPTABLE**  
Steel stud kit #SSMK1 is  
required [NOT INCLUDED]  
Call Customer Service

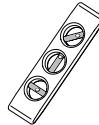
# Tools Needed



Tape Measure



Pencil



Level



Tape



Screwdriver




Electric Drill




1/2 in.  
(13 mm)  
Socket Wrench

**Wood Stud Install**




Stud Finder  
Awl  
7/32 in.  
(5.5 mm)  
Wood  
Drill Bit

**Concrete Install**



3/8 in.  
(10 mm)  
Concrete  
Drill Bit  
Hammer

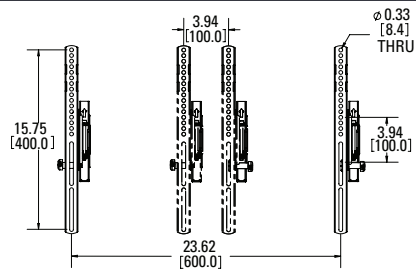
**Steel Stud Install**



Stud Finder  
Awl  
1/2 in.  
(13 mm)  
Steel  
Drill Bit

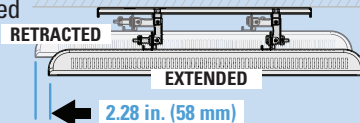
# Dimensions in. [mm]

## TV INTERFACE

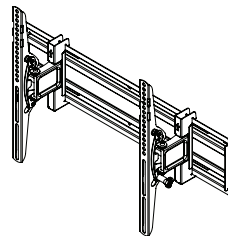


**NOTE:** During operation, your TV shifts 2.28 in. (58 mm) when retracted or extended.

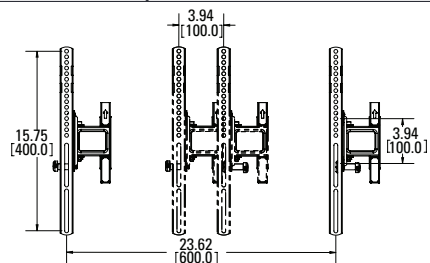
To help fine-tune the placement of your TV, the wall plate includes slotted holes and the TV brackets can be located anywhere along the wall plate.



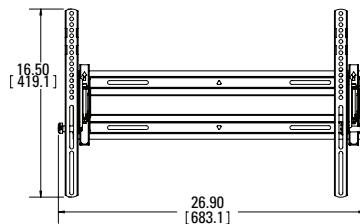
## 3-D



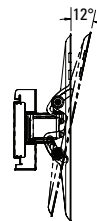
## TV INTERFACE, COLLAPSED



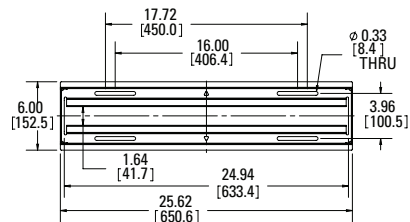
## FULLY ASSEMBLED MOUNT



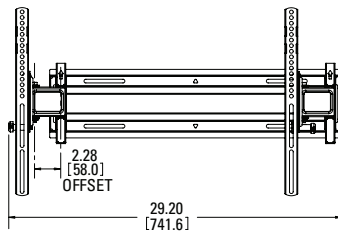
## SIDE VIEW - TILT



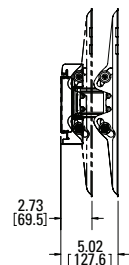
## WALL PLATE



## ASSEMBLED MOUNT, COLLAPSED



## SIDE VIEW - DEPTH





# Supplied Parts and Hardware

**⚠ WARNING:** This product contains small items that could be a choking hazard if swallowed. Before starting, verify all parts are included and undamaged. If any parts are missing or damaged, do not return the damaged item to your dealer; contact Customer Service. Never use damaged parts!

**📄 NOTE:** Not all hardware included will be used.

## STEP 1 Parts and Hardware

### 01 TV Screws

(qty. 4 each)

[Only one size fits your TV]

M4

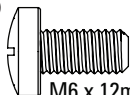


M4 x 12mm

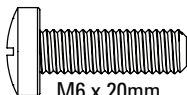


M4 x 35mm

M6



M6 x 12mm

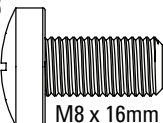


M6 x 20mm



M6 x 35mm

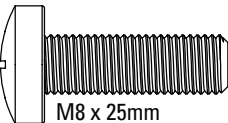
M8



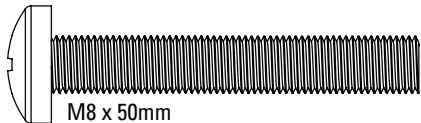
M8 x 16mm



M8 x 35mm



M8 x 25mm



M8 x 50mm

### Washers

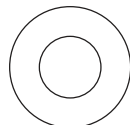
(qty. 4 each)

02

M4



M6/M8



### Spacers

(qty. 4 each)

[If necessary]

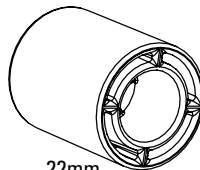
03

M4/M6/M8



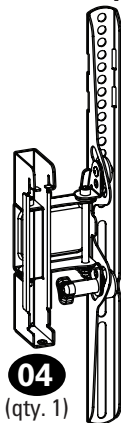
2.5mm

M4/M6/M8

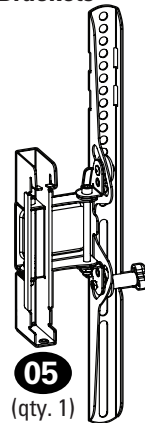


22mm

### TV Brackets



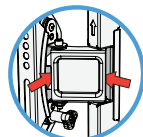
04  
(qty. 1)



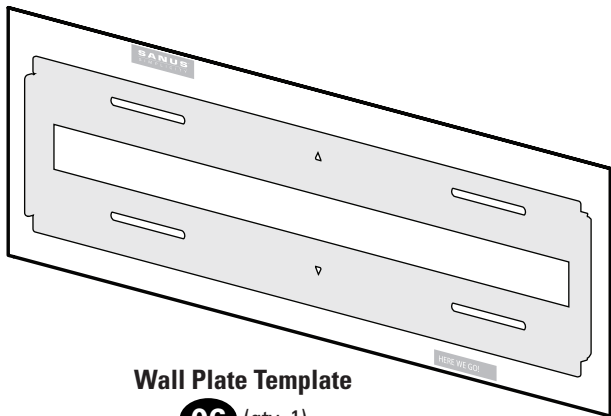
05  
(qty. 1)

**⚠ CAUTION:** Avoid potential personal injury or property damage!

The TV brackets contain potential pinch points during operation. Keep fingers away from pinch points when retracting the TV. (arrows)

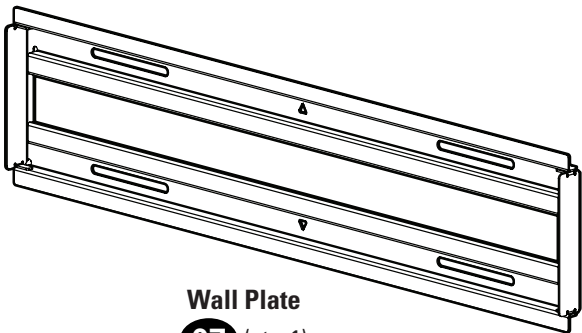


## Parts and Hardware for STEP 2



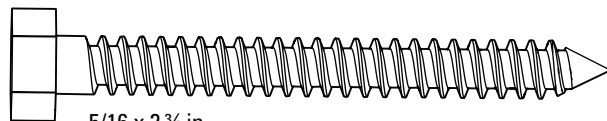
Wall Plate Template

**06** (qty. 1)



Wall Plate

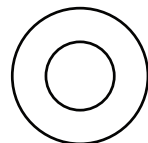
**07** (qty. 1)



5/16 x 2 3/4 in.

Lag Bolts

**08** (qty. 4)

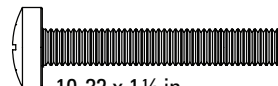


Lag Bolt Washer

**09** (qty. 4)

5/16 in.

## Hardware for STEP 3



10-32 x 1 1/4 in.

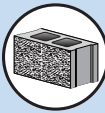
Locking Screw

**10** (qty. 2)

## Hardware for STEP 2B

### Concrete Installation

[Concrete Kit #CMK1 is NOT INCLUDED]



Contact Customer Service at 1-888-333-9952 and ask about the CMK1 Concrete Anchor Kit.

**For concrete installations ONLY**

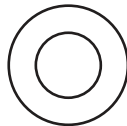
**CAUTION:** Do not use in drywall or wood

#### Concrete Anchors

**C1**  
(qty. 4)



Fischer UX10 x 60R

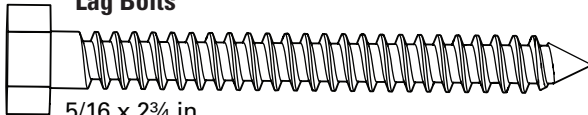


Washer

**C2** (qty. 4)

5/16 in.

#### Lag Bolts



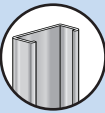
5/16 x 2 3/4 in.

**C3** (qty. 4)

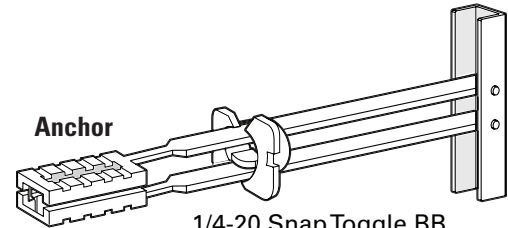
## Hardware for STEP 2C

### Steel Stud Installation

[Steel Stud Kit #SSMK1 is NOT INCLUDED]



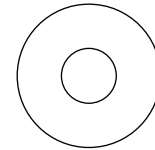
Contact Customer Service at 1-888-333-9952 and ask about the SSMK1 Steel Stud Anchor Kit.



Anchor

1/4-20 Snap Toggle BB

**S1** (qty. 4)



Washer

**S2** (qty. 4)

1/4 in.

#### Screw



1/4-20 x 1 3/4 in.

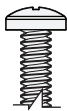
**S3** (qty. 4)

# STEP 1 Attach Brackets to TV

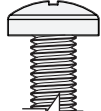
## 1.1 Select TV Screw Diameter

Only one screw size fits your TV.

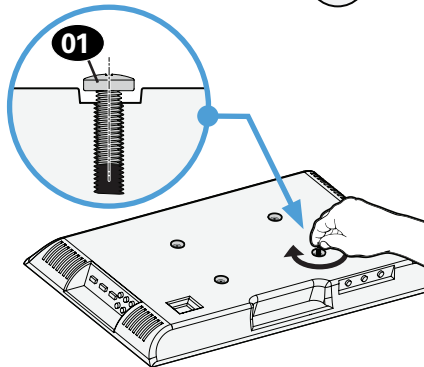
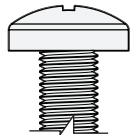
M4



M6



M8



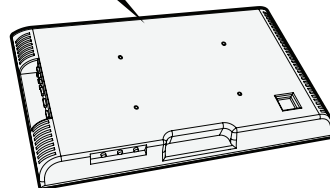
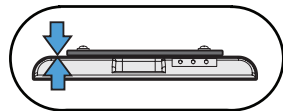
## 1.2 Select TV Screw Length and Spacers

### A NO SPACER

#### • Flat Back TV

[TV brackets **04**/**05**  
lay flat on your TV]

Use **short** TV screws **01**.  
Spacers **03** not needed.



### B SPACER NEEDED

#### • Flat Back TV with Extra Space Needed

[for deep inset holes  
or cable interference]

#### • Rounded or Irregular Back TV

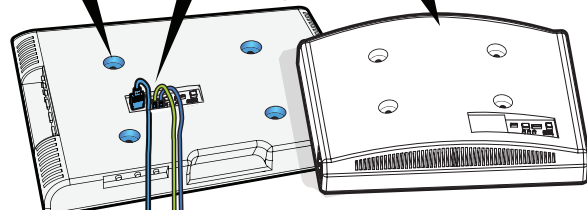
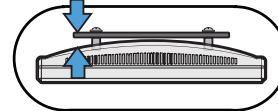
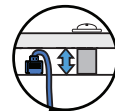
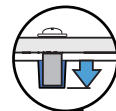
[TV brackets **04**/**05** NOT  
resting flat on your TV]

Use **long** TV screws **01** and spacers **03** to  
create extra space between the TV and TV bracket.



Inset Holes

Cables

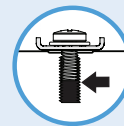


**CAUTION:** Verify adequate thread engagement with your  
screw **01**, washer **02**, spacer **03** combination AND TV bracket **04**/**05**.  
— Too short will not hold your TV. — Too long will damage your TV.

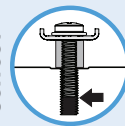
Too Short



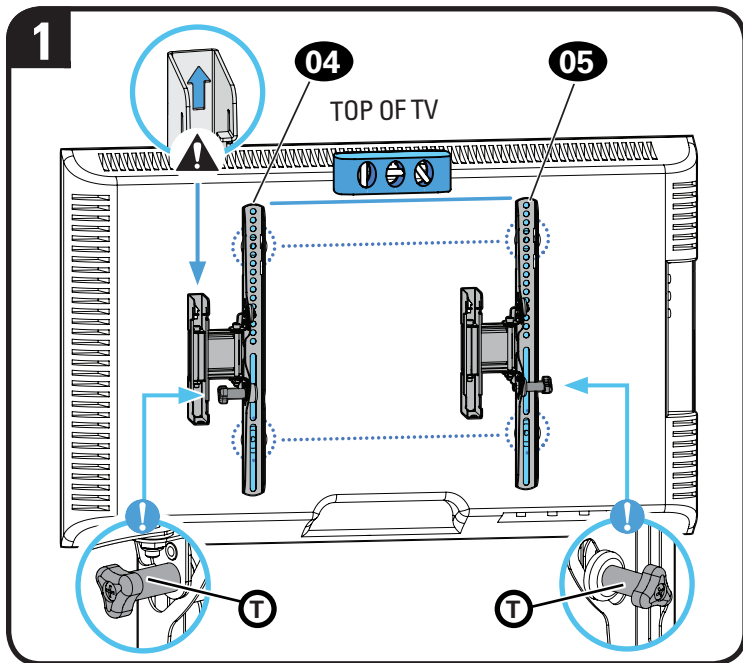
Too Long



Correct



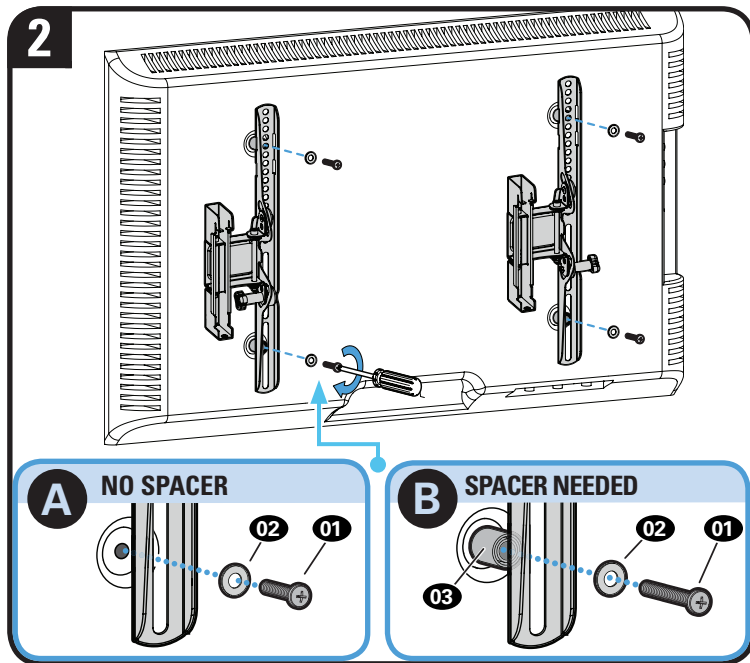
## 1.3 Attach Brackets to TV



Position the TV brackets **04** and **05** over your TV hole pattern as shown - making sure the brackets are level.

**!** **IMPORTANT:** The tilt tension knobs **T** should be oriented to the outside edges.

**?** If your TV included inset spacers or wall mount adapters, see Troubleshooting (PAGE 23).



Install using the screw combination **A** or **B** you selected for your TV.

**!** **CAUTION:** Avoid potential personal injuries and property damage! DO NOT use power tools for this step. Tighten the screws only enough to secure the TV bracket to the TV. DO NOT overtighten the screws.

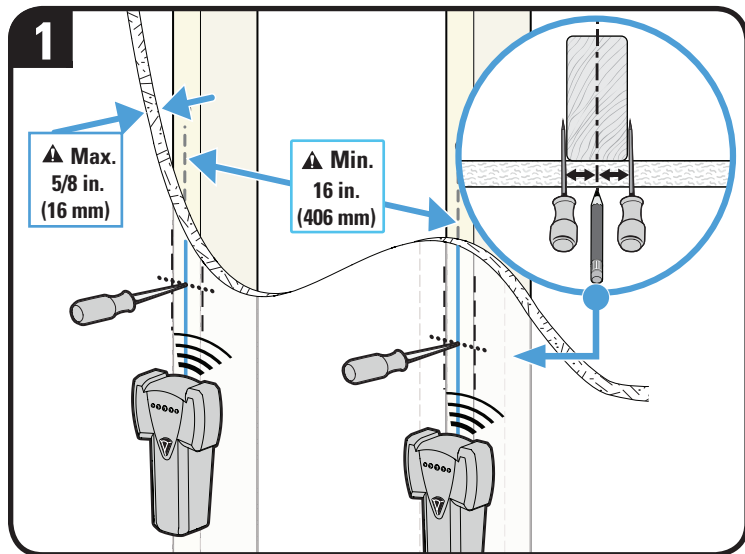
## STEP 2A Attach Wall Plate



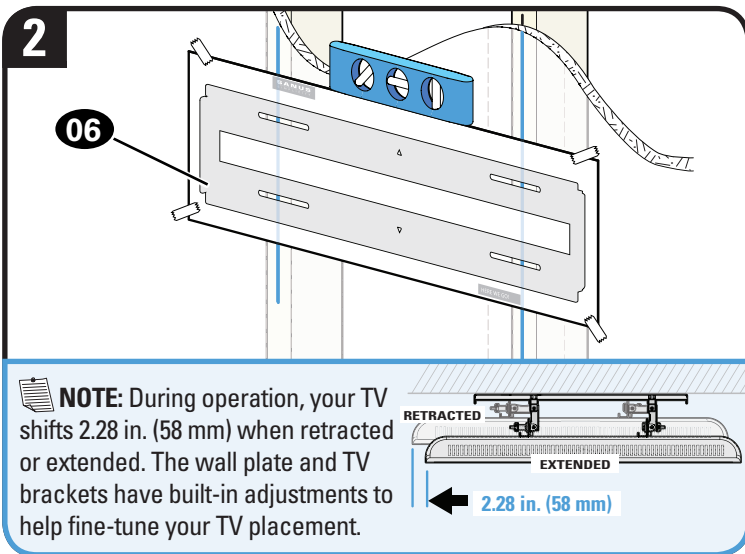
## Wood Stud Installation

**⚠ CAUTION:** Avoid potential personal injury or property damage!

- Drywall covering the wall must not exceed 5/8 in. (16 mm)
- Minimum wood stud size: nominal 2 x 4 in. (51 x 102 mm) actual 1½ x 3½ in. (38 x 89 mm)
- Minimum horizontal space between fasteners: 16 in. (406 mm)

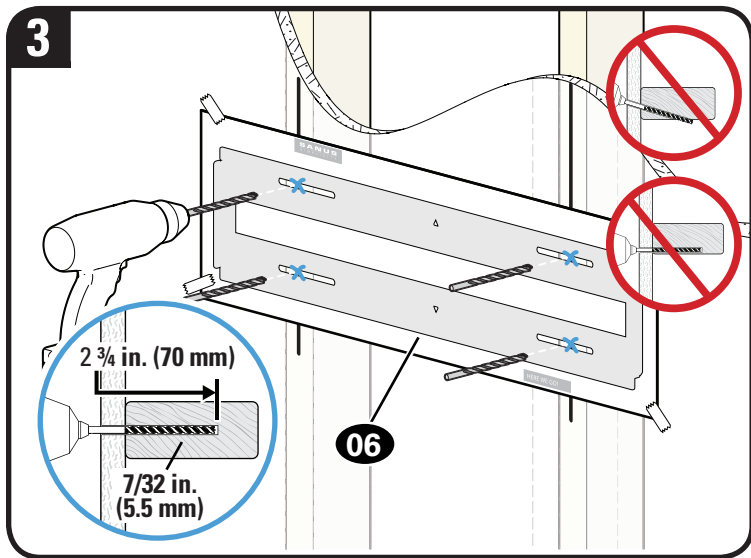


Locate the studs. Verify the center of the stud(s) using an awl, a thin nail, or an edge to edge stud finder.



**NOTE:** During operation, your TV shifts 2.28 in. (58 mm) when retracted or extended. The wall plate and TV brackets have built-in adjustments to help fine-tune your TV placement.

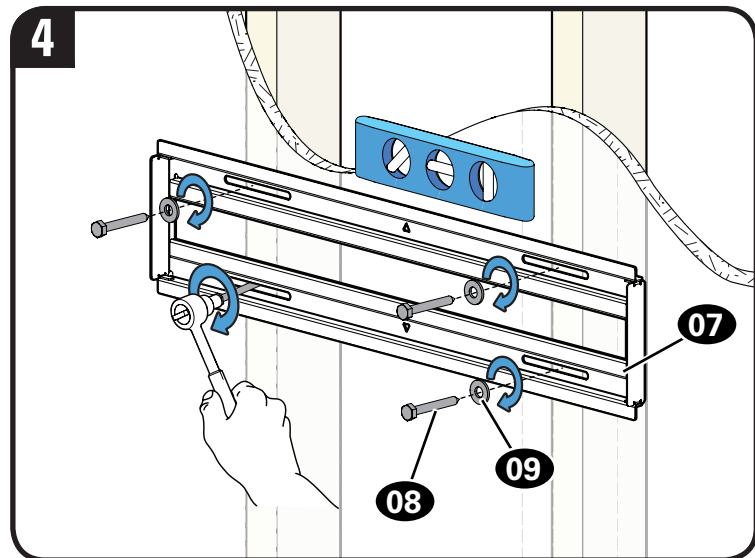
Level the wall plate template **06** and align the hole pattern over the **CENTERS** of your studs, then tape in place.



Drill pilot holes then remove the wall plate template **06**.

**! IMPORTANT:** Be sure to drill into the center of the stud.

**! IMPORTANT:** Pilot holes must be drilled to a depth of 2 3/4 in. (70 mm), using a 7/32 in. (5.5 mm) diameter drill bit.



Install the wall plate **07** using four lag bolts **08** and washers **09**.

**💡 TIP:** Use the slotted holes for fine-tuning your placement.

Tighten all lag bolts only until they are pulled firmly against the wall plate.

**⚠ CAUTION:** Improper use could reduce the holding power of the lag bolt. **DO NOT over-tighten the lag bolts.**

Go to **STEP 3** on **PAGE 19**.

## STEP 2B Attach Wall Plate



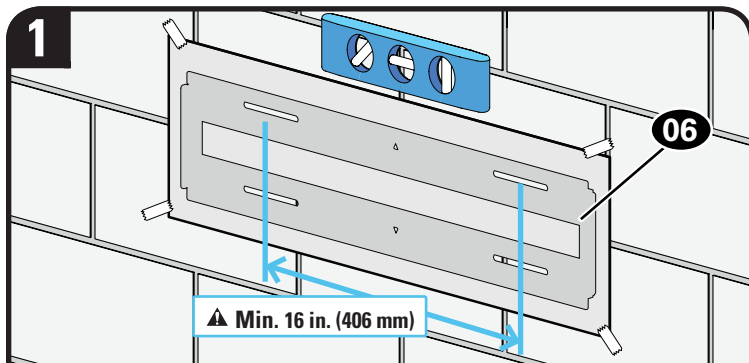
## Solid Concrete or Concrete Block Installation

**CAUTION:** Avoid potential personal injury or property damage!

- Mount wall plate **07** directly onto concrete surface (no wall covering)
- Minimum solid concrete thickness: 8 in. (203 mm)
- Minimum concrete block size: 8 x 8 x 16 in. (203 x 203 x 406 mm)
- Minimum horizontal space between fasteners: 16 in. (406 mm)

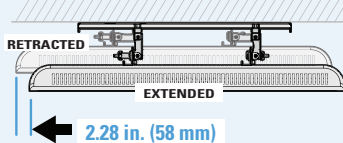
**Concrete Install Kit #CMK1 is not included**

(see page 7) Contact Customer Service at 1-888-333-9952 to have the additional hardware shipped directly to you.

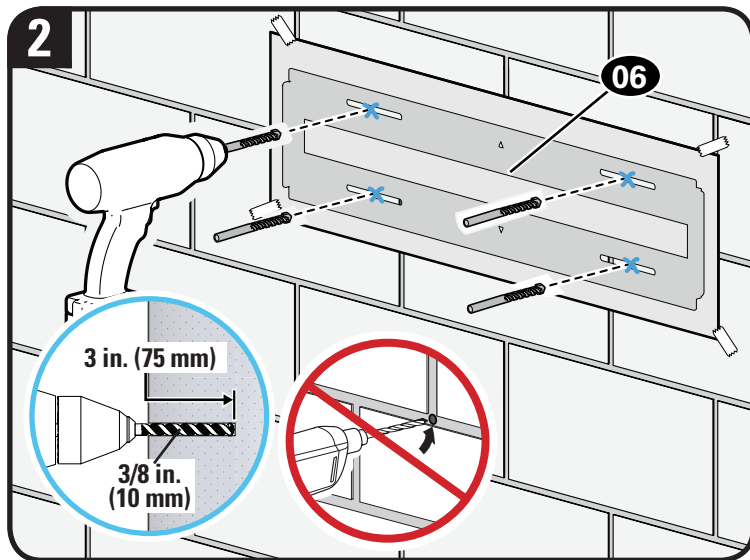


▲ **Min. 16 in. (406 mm)**

**NOTE:** During operation, your TV shifts 2.28 in. (58 mm) when retracted or extended. The wall plate and TV brackets have built-in adjustments to help fine-tune your TV placement.



← **2.28 in. (58 mm)**



**3 in. (75 mm)**

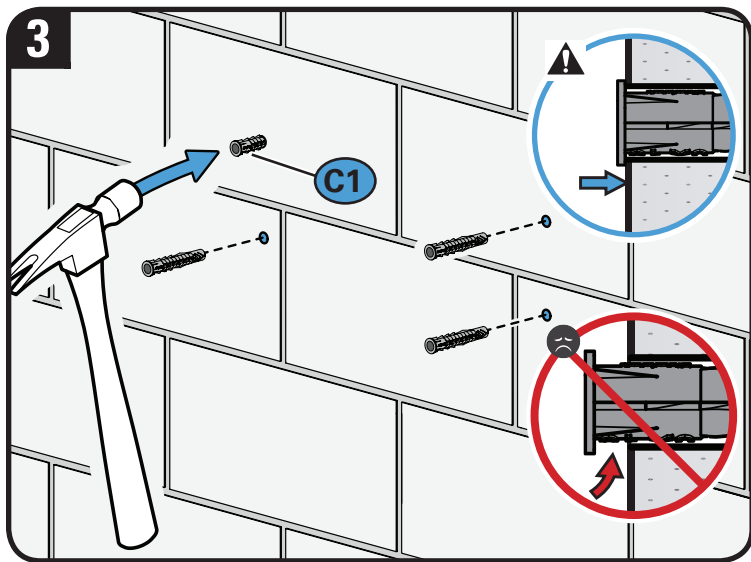
**3/8 in. (10 mm)**

Level the wall plate template **06** and tape in place.

Drill pilot holes into solid concrete. Never drill into the mortar **BETWEEN** blocks.

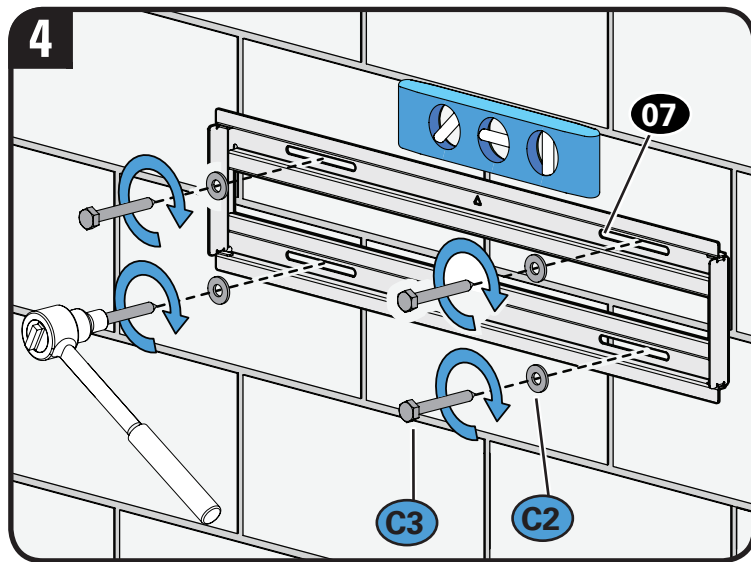
**IMPORTANT:** Pilot holes must be drilled to a depth of 3 in. (75 mm), using a 3/8 in. (10 mm) diameter drill bit.





Remove wall plate template **06** and insert concrete anchors **C1**.

**▲ CAUTION:** Be sure the anchors are seated flush with the concrete surface.



Install the wall plate **07** using four lag bolts **C3** and washers **C2**.

**💡 TIP:** Use the slotted holes for fine-tuning your placement.

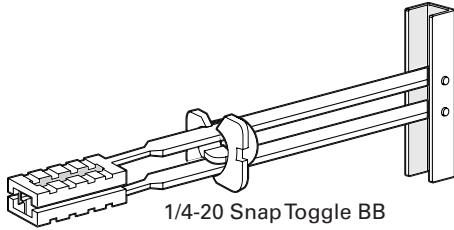
Tighten all lag bolts only until they are pulled firmly against the wall plate.

**▲ CAUTION:** Improper use could reduce the holding power of the lag bolt. **DO NOT over-tighten the lag bolts C3.**

Go to **STEP 3** on **PAGE 19**.

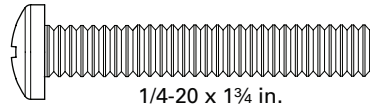


**Steel Stud Anchor Kit (not included) - Contact Customer Service at 1-888-333-9952 to inquire about the additional hardware.**



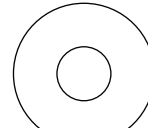
1/4-20 Snap Toggle BB

**S1 x4**



1/4-20 x 1 3/4 in.

**S2 x4**

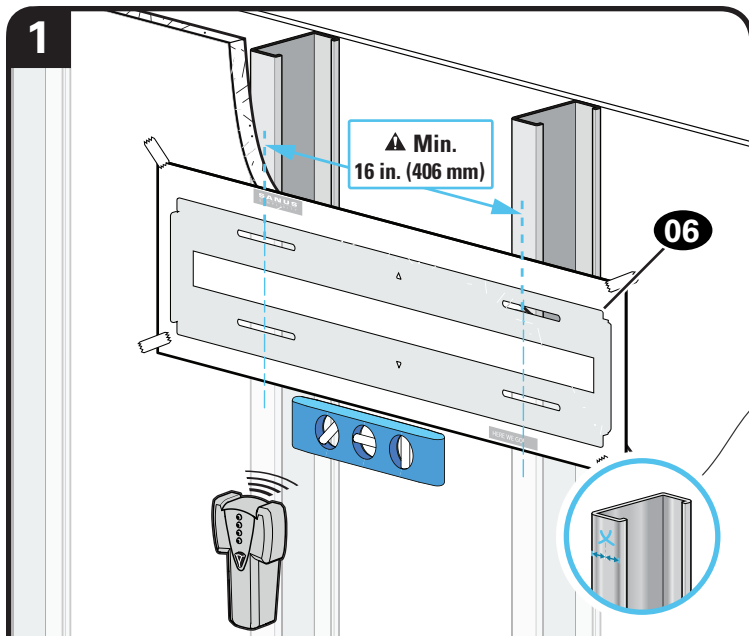


1/4 in.

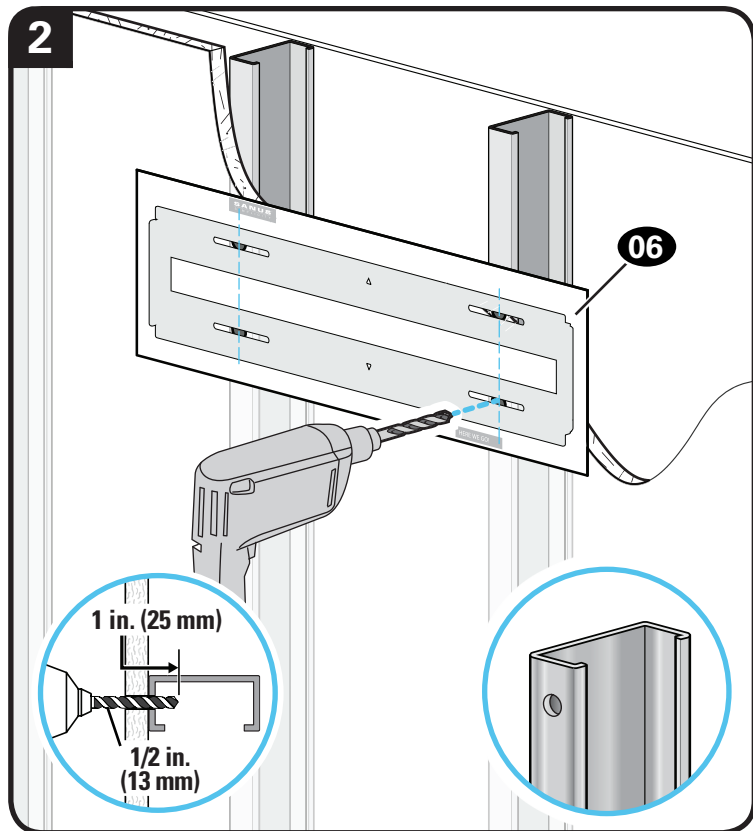
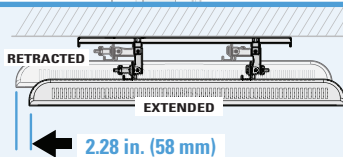
**S3 x4**

**⚠ CAUTION:** Avoid potential personal injury or property damage!

- Studs must be at least 2x4 in. / 25 ga.
- If back side of wall is unfinished, drywall must be installed to a minimum of one stud left and right of the stud(s) being used to install the mount
- Drywall must be a minimum of 1/2 in. (13 mm) thick on each side of the studs, and a minimum clearance of 1 7/8 in. (48 mm) behind the wall is required
- Pilot holes **MUST** be drilled to a depth of 1 in. (26 mm), using a 1/2 in. (13 mm.) diameter drill bit
- This product must be centered on the studs
- Stud type and structural strength must conform to the North American Specification for the Design of Cold-Formed Steel Structural Members [362 S 125 18, C-Shape, S - Stud Section]
- Drywall must be secured to studs with screws 12 in. (304.8 mm) on center



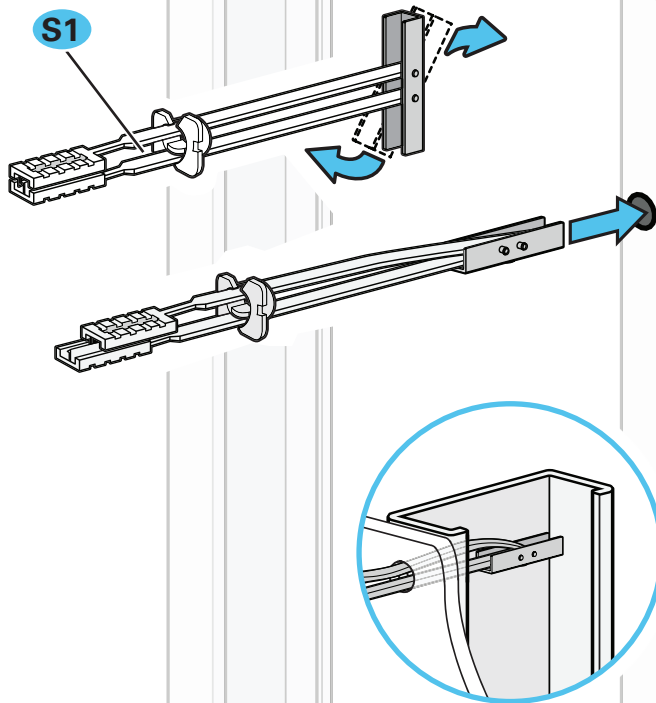
**NOTE:** During operation, your TV shifts 2.28 in. (58 mm) when retracted or extended. The wall plate and TV brackets have built-in adjustments to help fine-tune your TV placement.



Drill pilot holes using a 1/2 in. (13 mm) diameter drill bit then remove the wall plate template **06**.

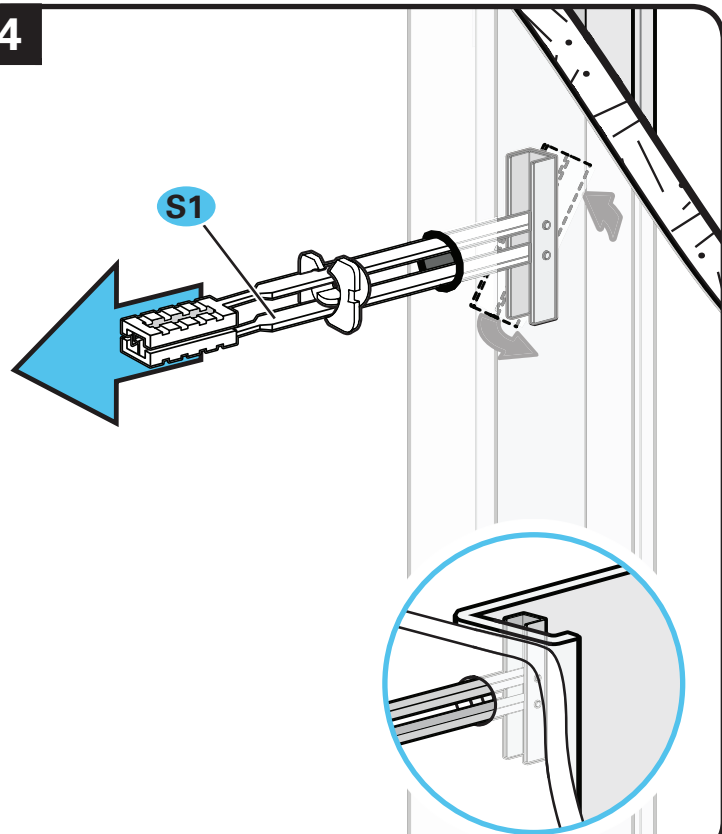
Locate studs. Verify the center of the stud(s) using an awl, a thin nail, or an edge to edge stud finder. Level the wall plate template **06** and align the hole pattern over the **CENTERS** of your studs, then tape in place.

3



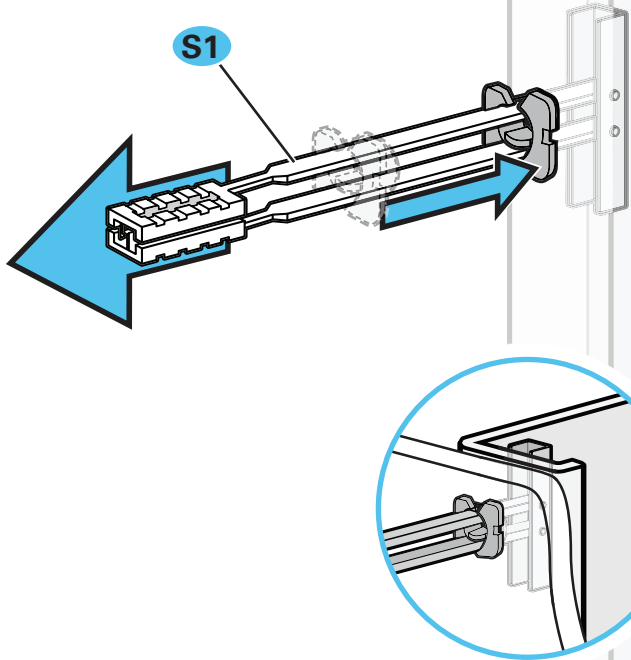
Insert snap toggle anchors **S1** by folding metal channel until it is flat with the plastic straps. Slide the metal channel into the drilled hole.

4



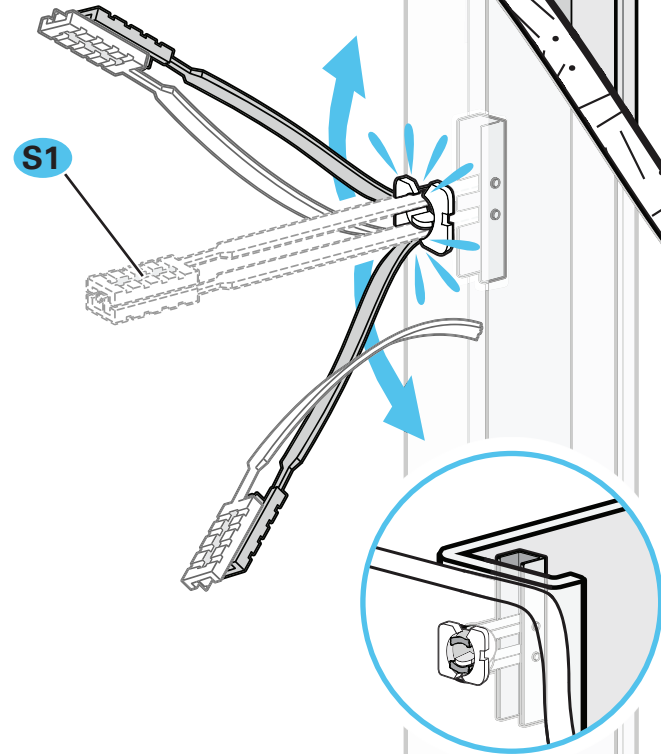
Hold the plastic straps by the end and pull towards you until the metal channel is flush behind the drywall.

5



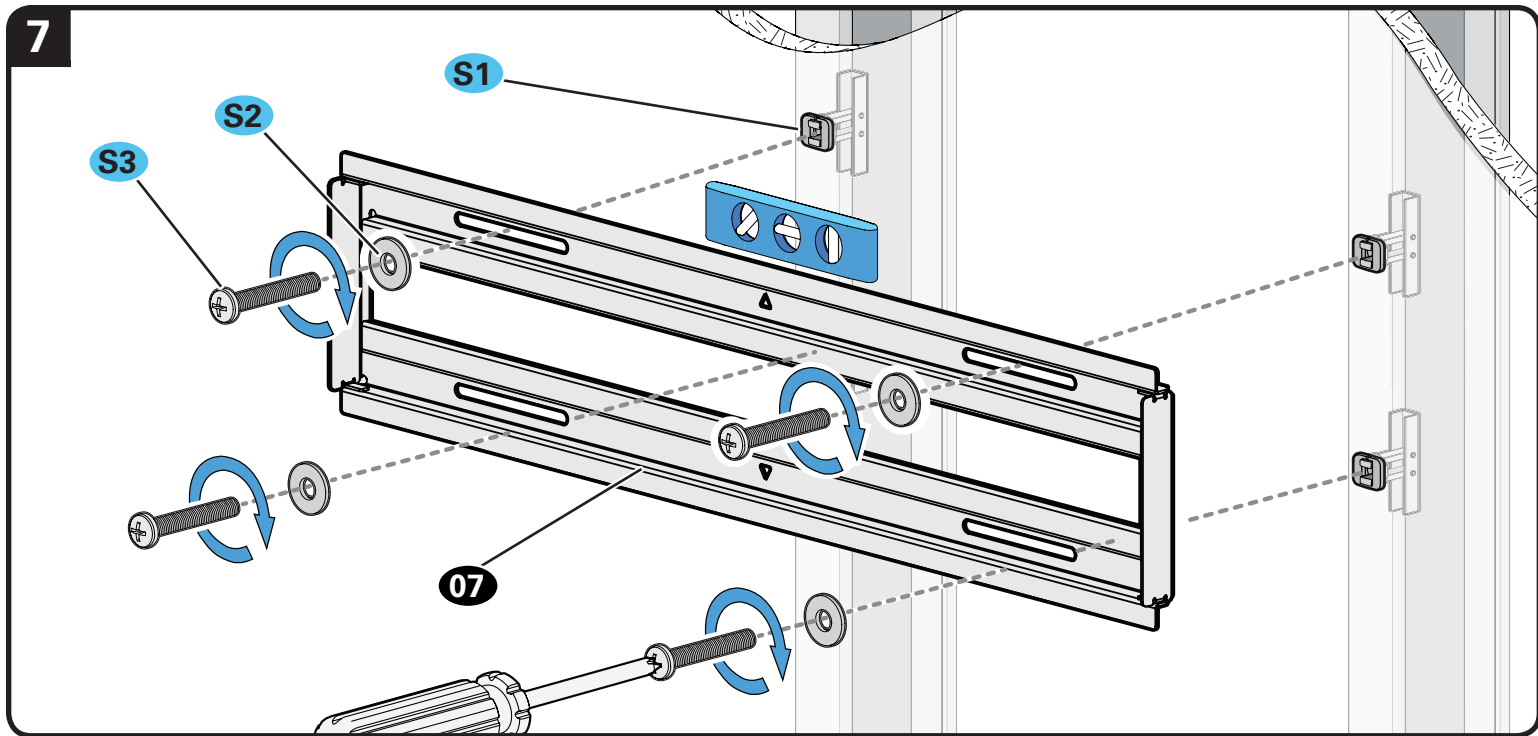
Slide the plastic cap down the straps and into the hole with the lip of the cap flush against the wall.

6



Bend the straps side to side until they snap off level with the lip of the cap.

7



Install the wall plate **07** using four screws **S3** and washers **S2**.

**TIP:** Use the slotted holes for fine-tuning your placement.

Tighten all screws **S3** only until they are pulled firmly against the wall plate **07**.

**CAUTION:** Improper use could reduce the holding power of the screws **S3**. **DO NOT over-tighten the screws S3.**

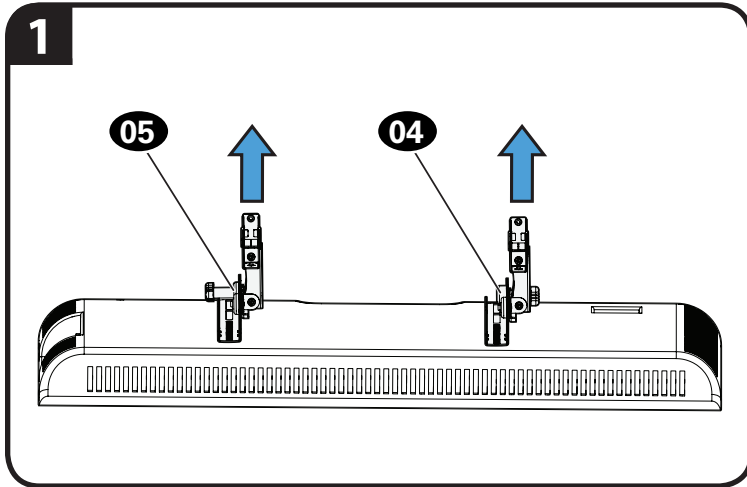
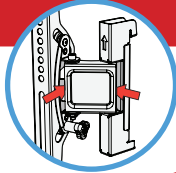
# STEP 3 Hang TV onto Wall Plate



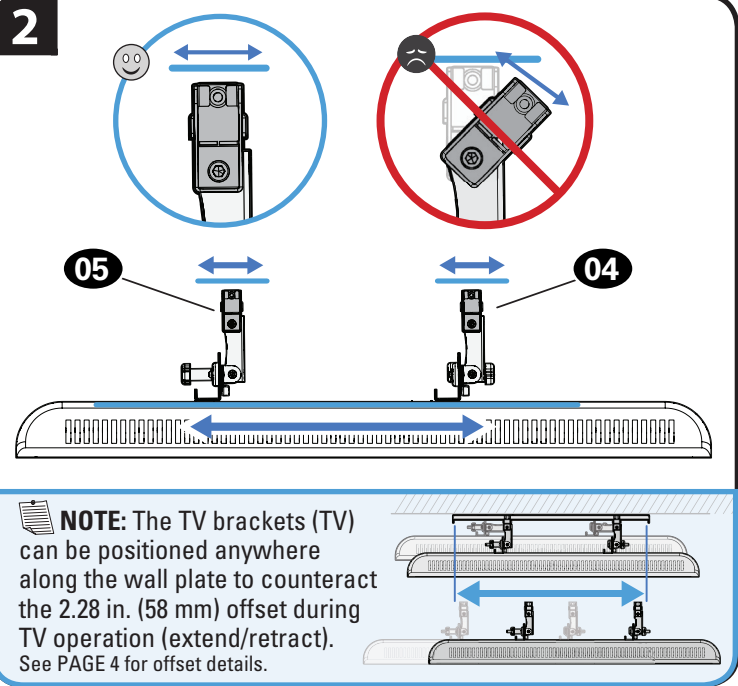
**HEAVY!** You may need assistance with this step.

**CAUTION:** Avoid potential personal injury!

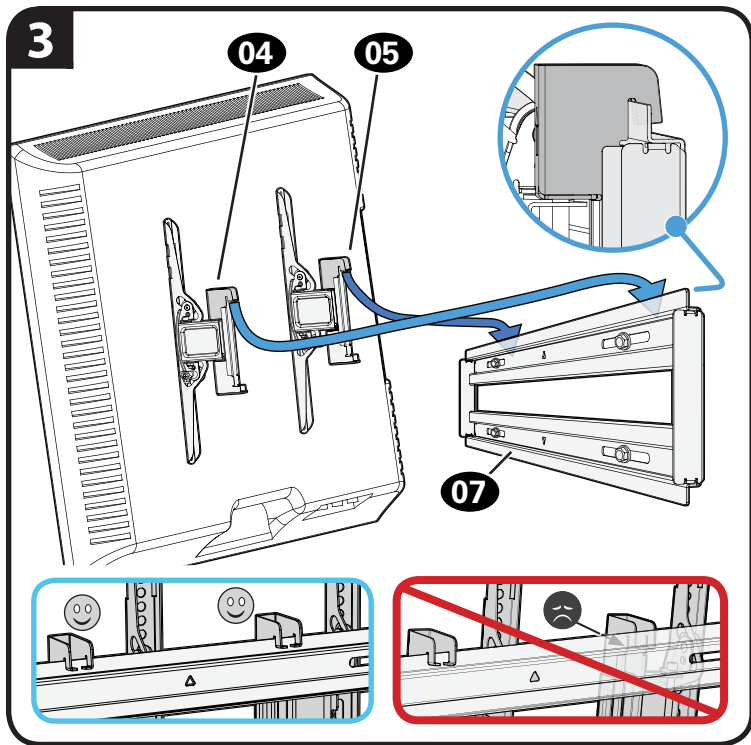
TV brackets **04** and **05** contain potential pinch points during operation. Keep fingers away from pinch points when retracting the TV. (arrows)



Extend the TV brackets **04** and **05** as shown



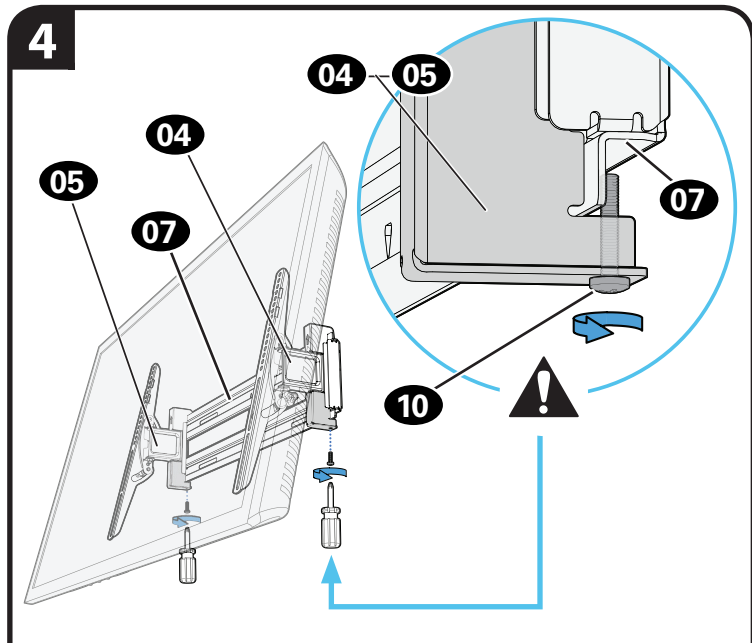
Align the ends of TV brackets **04** and **05** with your TV.



Determine where on the wallplate you want to position your TV.

Hang your TV by fitting the hooks of **BOTH** TV brackets **04** and **05** over the top edge of the wall plate **07**.

**! IMPORTANT:** Ensure BOTH TV brackets are connected.



**! IMPORTANT:** BEFORE MOVING YOUR TV, **SECURELY** tighten down screws **10** to properly install the assembly.

Rest the TV (brackets **04** and **05**) against the wall plate **07**. Install locking screws **10** to secure TV to wall plate **07**.

**! CAUTION:** Avoid potential personal injuries or property damage! Screws **10** must be installed to secure arms to wall plate **07**. Periodic tightening may be required.

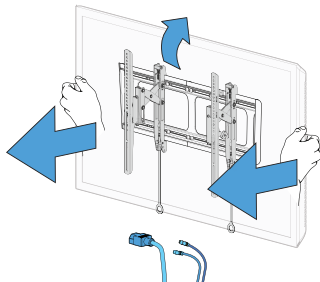
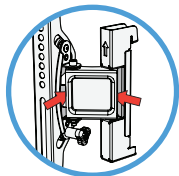


# Manage Cables

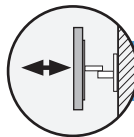
Move your TV to various positions, as needed to attach your cables, then adjust the TV as desired.

**CAUTION:**  
Avoid potential personal injury!

The TV brackets contain potential pinch points during operation. Keep fingers away from pinch points when retracting the TV. (see arrows)



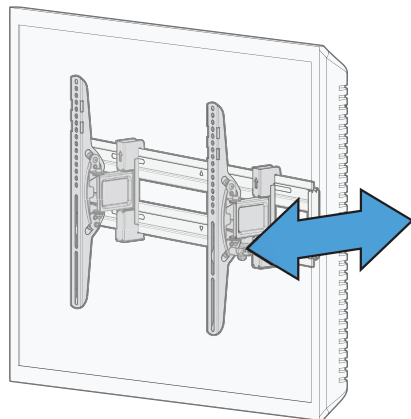
# Adjustments



## EXTEND / RETRACT

If your TV doesn't extend or retract properly, remove your TV (See PAGE 22), then reinstall following STEP 3 on PAGE 19.

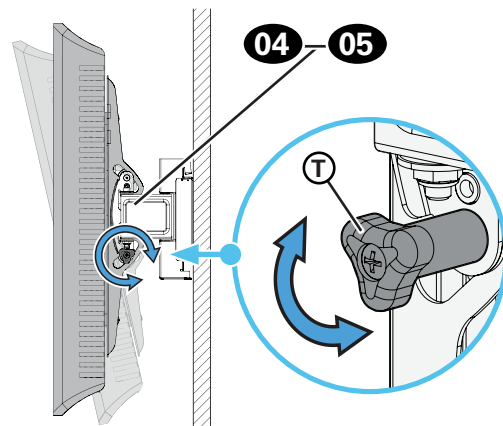
**IMPORTANT:** BEFORE MOVING YOUR TV, **securely** tighten down screws **10** shown on PAGE 20, to properly install the assembly.

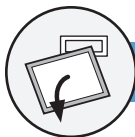


## TILT

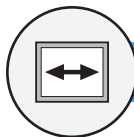
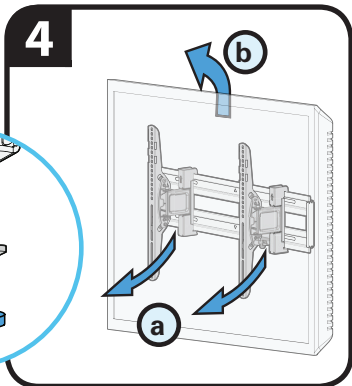
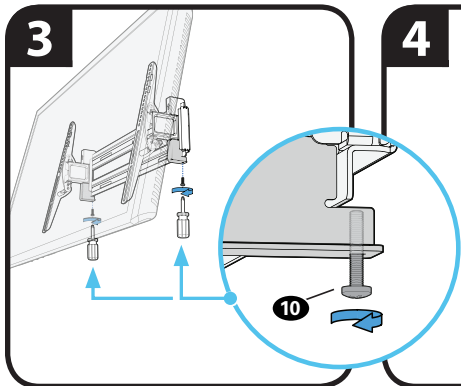
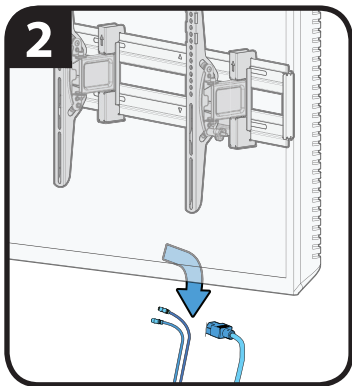
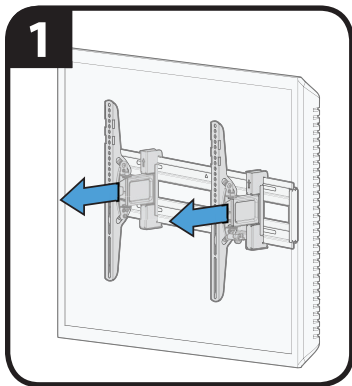
Your TV should adjust easily when moved, then stay in place. If your TV is too loose or too tight, adjust side tension knobs **T**.

**NOTE:** Once your TV is in place, tighten the side tension knobs **T** to prevent unwanted movement.

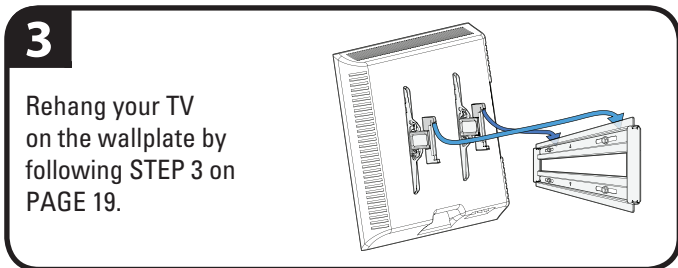
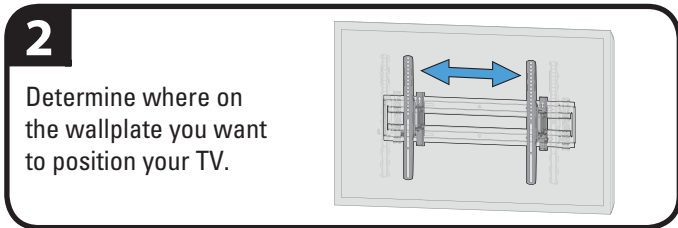
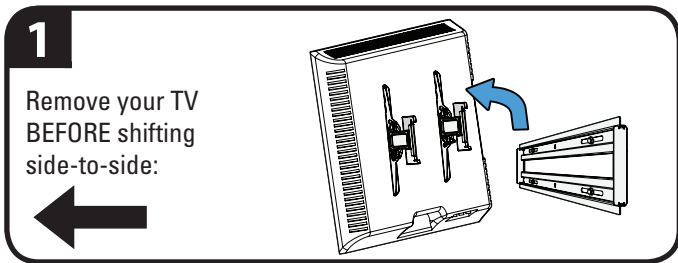


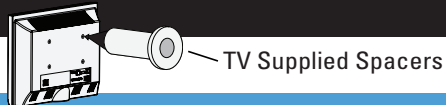


## REMOVING THE TV



## TV LATERAL SHIFT





If you are uncertain about your hardware selection, contact Customer Service at 1-888-333-9952.

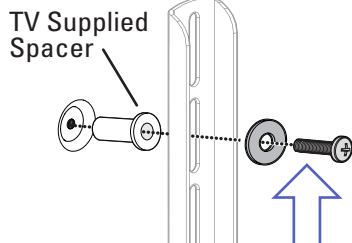
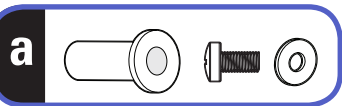
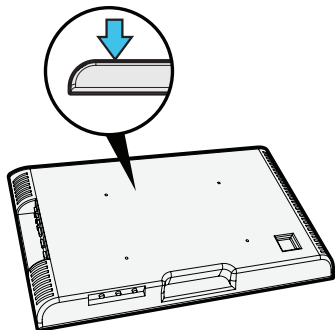
## TV SUPPLIED SPACERS

**A** Use your TV supplied spacer for:

- **Flat Back TV** [TV brackets lay flat on your TV]

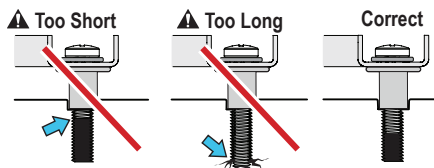
**NOTE:** M8 screws can be used without the washer for extra thread engagement.

FLAT BACK



**CAUTION:** Avoid potential injury or property damage! Use the correct screw length for adequate thread engagement.

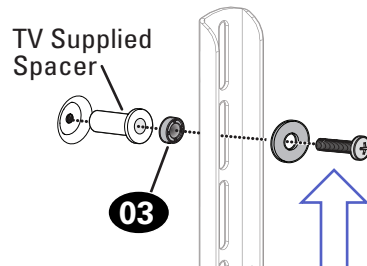
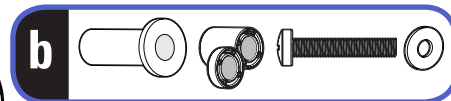
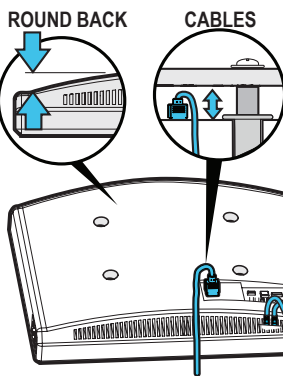
- Too short will not hold the TV.
- Too long will damage the TV.



**B** Use your TV supplied spacer and spacer **03** for:

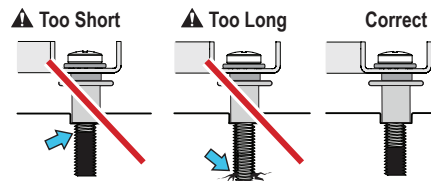
- **Flat Back TV with Extra Space Needed** [for deep inset holes or cable interference]
- **Rounded or Irregular Back TV** [TV brackets NOT resting flat on your TV]

**NOTE:** M8 screws can be used without the washer for extra thread engagement.



**CAUTION:** Avoid potential injury or property damage! Use the correct screw length for adequate thread engagement.

- Too short will not hold the TV.
- Too long will damage the TV.



Revise estas instrucciones para estar seguro de sentirse cómodo con este sencillo proceso de instalación.

Consulte además el manual del usuario de su televisor para ver si existe algún requisito especial para montar su televisor en la pared.

Si no entiende las instrucciones o si tiene dudas acerca de la seguridad de la instalación, el montaje o el uso del producto, póngase en contacto con el Servicio de Atención al Cliente al 1-888-333-9952.

**⚠ PRECAUCIÓN:** Evite posibles lesiones personales y daños materiales.

- Este producto se ha diseñado para su uso en montantes de madera, hormigón macizo y paredes de bloques de hormigón y en montantes de acero:
- **NO lo instale en paredes únicamente de yeso**
- La pared debe ser capaz de soportar hasta cinco veces el peso combinado del televisor y la montura
- No utilice este producto para ningún otro propósito que no sea el explícitamente especificado por el fabricante
- El fabricante no se responsabiliza de ningún daño o lesión resultante del montaje incorrecto o el uso indebido

**Peso máximo** (incluidos los accesorios)

**NO EXCEDAS**



Si su TV (incluidos los accesorios) pesa **MÁS**, esta soporte NO es compatible. Visite [Simplicity.SANUS.com](http://Simplicity.SANUS.com) o llame al número 1-888-333-9952 para encontrar una montura compatible.

## La construcción de su pared

SOLAMENTE instalar en estos tipos aceptables de la pared.

**?** ¿No está seguro?

Llame al Servicio de Atención al Cliente

**⚠ PRECAUCIÓN:**

**NO lo instale en paredes únicamente de yeso**



Instalación en paneles de yeso solo **NO** soportará el peso de su TV.

Montantes de madera

**ACEPTABLE**

Hormigón macizo o bloque de hormigón

**ACEPTABLE**

Se requiere el kit para hormigón #CMK1 [no incluido].  
contacto con el Servicio de Atención al Cliente.

Montantes de acero

**ACEPTABLE**

Se requiere el kit para montantes de acero #SSMK1 [no incluido].  
contacto con el Servicio de Atención al Cliente.

## herramientas necesarias



## Dimensiones

ver página 4



**NOTA:** Durante la operación, su televisor cambia 2.28 pulgadas (58 mm) cuando se retrae o extiende. La placa de pared y los soportes de TV tienen ajustes incorporados para ayudar a ajustar su ubicación de TV.

## Piezas y elementos de montaje suministrados

ver página 5

**⚠ ADVERTENCIA:** Este producto contiene piezas pequeñas que, en caso de ser tragadas, podrían causar asfixia. Antes de comenzar a montar la unidad, verifique que dispone de todas las piezas y que se encuentran en buen estado. Si no dispone de todas las piezas o alguna está dañada, no devuelva el elemento defectuoso al distribuidor. Póngase en contacto con el Servicio de Atención al Cliente. Nunca utilice piezas en mal estado.

**📄 NOTA:** No se utilizarán todos los elementos de sujeción incluidos.

**⚠ PRECAUCIÓN:** Evite posibles lesiones físicas y daños materiales. Los soportes del televisor pueden contener puntos de compresión durante la operación. Mantenga los dedos alejados de los puntos de compresión al retraer el televisor. (observe las flechas)

## Herramientas para el PASO 2B Instalación en hormigón macizo o bloque de hormigón (NO INCLUIDO)

Kit de anclaje para paredes con montantes de acero #CMK1 (no incluido) - Póngase en contacto con el Servicio de Atención al Cliente en el 1-888-333-9952 para que le envíen estas herramientas adicionales directamente a su hogar.

SOLO para instalaciones en hormigón

**⚠ PRECAUCIÓN:** No se debe utilizar en paredes de yeso ni de madera.

C1 x4



## Herramientas para el PASO 2C Instalación en paredes con montantes de acero (NO INCLUIDO)

Kit de anclaje para paredes con montantes de acero #SSMK1 (no incluido) - Póngase en contacto con el Servicio de Atención al Cliente en el 1-888-333-9952 para que le envíen estas herramientas adicionales directamente a su hogar.

## PASO 1 Fijar el soporte al televisor

ver página 8

### 1,1 Seleccione el diámetro de los tornillos

VER PÁGINA 8

Solo un tamaño de tornillo es compatible con su TV.

### 1,2 Seleccione el largo de los tornillos

VER PÁGINA 8

#### A SIN ESPACIADOR

- **Televisor con dorso plano**

[Los soportes del televisor **04** / **05** se apoyan de manera plana en él]

Use los tornillos del televisor **cortos** **01**.  
No hacen falta espaciadores **03**.



#### B CON ESPACIADOR

- **Televisor con dorso plano con necesidad de espacio adicional** [para orificios empotrados o interferencia de cables]

- **Televisores con dorso plano o irregular** [Los soportes del televisor **04** / **05** NO se apoyan de manera plana en él]

Use los tornillos del televisor **largos** **01** y los espaciadores **03** para crear espacio adicional entre el televisor y el soporte.



**⚠ PRECAUCIÓN:** Verifique que el tornillo o la combinación de tornillo **01**, arandelas **02**, espaciador **03** y placas de sujeción del televisor **04** / **05** enrosquen correctamente. Si el tornillo es demasiado corto no sostendrá el televisor. Si es demasiado largo dañará el televisor.

### 1,3 Fijar la placa de sujeción al televisor

VER PÁGINA 8

**?** Si su televisor incluye espaciadores empotrados o adaptadores para soportes de pared, consulte la sección Solución de problemas en la PÁGINA 23.

Ubique los soportes del televisor en el centro **04** y **05** sobre el patrón de orificios del televisor, tal como se muestra en la figura, asegurándose de que los soportes estén nivelados.

**!** **IMPORTANTE:** La perilla de tensión de inclinación **T** en los soportes del televisor **04** y **05** debe estar orientada hacia los bordes externos.

Realice la instalación utilizando la combinación de tornillos **A** o **B** que haya seleccionado para su televisor.

**⚠ PRECAUCIÓN:** Evite posibles lesiones personales y daños materiales. NO utilice herramientas eléctricas para este paso. Apriete los tornillos solo con la fuerza suficiente como para asegurar el soporte del televisor al televisor. NO ajuste demasiado los tornillos.

**PASO 2A Fijar la placa de pared****Instalación en paredes con montantes de madera VER PÁGINA 10**

**⚠ PRECAUCIÓN:** Evite lesiones personales y daños materiales.

- Los paneles de yeso que cubren la pared no deben superar los 16 mm (5/8 pulg.)
- Tamaño mínimo de los montantes de madera: común 51 x 102 mm (2 x 4 pulg.) nominal 38 x 89 mm (1½ x 3½ pulg.)
- Espacio mínimo entre los elementos de sujeción: 213,4 mm (8,40 pulg.)
- Se deben verificar las partes centrales de los pernos

1. Localice los montantes. Verifique el centro de los montantes utilizando un punzón, un clavo fino o un localizador de montantes de borde a borde.
2. Nivele la plantilla de la placa de pared **06** y fíjela con cinta adhesiva en el lugar.

**📄 NOTA:** Durante la operación, su televisor cambia 2.28 pulgadas (58 mm) cuando se retrae o extiende. La placa de pared y los soportes de TV tienen ajustes incorporados para ayudar a ajustar su ubicación de TV.

3. Taladre los orificios guía y luego quite la plantilla de la placa de pared **06**.

**! IMPORTANTE:** Asegúrese de taladrar en el centro del montante.

**! IMPORTANTE:** Los orificios guía deben taladrarse hasta una profundidad de 70 mm (2 ¾ pulg.), utilizando una broca de 5,5 mm (7/32 pulg.) de diámetro.

4. Instale el montaje de la placa de pared **07** utilizando cuatro pernos **08** tirafondo y tres arandelas **09**. Ajuste todos los pernos tirafondo solo hasta que queden firmemente sujetos contra la placa de pared.



**CONSEJO:** Use los agujeros ranurados para ajustar su ubicación.

**⚠ PRECAUCIÓN:** El uso incorrecto podría reducir la capacidad de sujeción del perno tirafondo. **NO apriete excesivamente los pernos tirafondo.**

Vaya al **PASO 3** en la **PÁGINA 19**.



Kit de anclaje para paredes con hormigón macizo o bloque de hormigón #CMK1 (no incluido) - Póngase en contacto con el Servicio de Atención al Cliente en el 1-888-333-9952 para que le envíen estas herramientas adicionales directamente a su hogar.

**⚠ PRECAUCIÓN:** Evite lesiones personales y daños materiales.

- Instale montaje la placa mural **07** directamente sobre la superficie de hormigón
- Grosor mínimo del hormigón macizo: 203 mm (8 pulg.)
- Tamaño mínimo del bloque de hormigón: 203 x 203 x 406 mm (8 x 8 x 16 pulg.)
- Espacio horizontal mínimo entre los elementos de sujeción: 406 mm (16")

1. Nivele la plantilla de la placa de pared **06** y fíjela con cinta adhesiva en el lugar.



**NOTA:** Durante la operación, su televisor cambia 2.28 pulgadas (58 mm) cuando se retrae o extiende. La placa de pared y los soportes de TV tienen ajustes incorporados para ayudar a ajustar su ubicación de TV.

2. Taladre los orificios guía en el hormigón macizo. Nunca taladre sobre el cemento entre los bloques.

**! IMPORTANTE:** Los orificios guía deben taladrarse hasta una profundidad de 75 mm (3 pulg.), utilizando una broca de 10 mm (3/8 pulg.) de diámetro.

3. Retire la plantilla de la placa de pared **06** y coloque anclajes para hormigón **C1**.

**⚠ PRECAUCIÓN:** Asegúrese de que los anclajes para hormigón estén nivelados con la superficie de hormigón.

4. Instale el montaje de la placa de pared **07** utilizando cuatro pernos **08** tirafondo y tres arandelas **09**. Ajuste todos los pernos tirafondo solo hasta que queden firmemente sujetos contra la placa de pared.



**CONSEJO:** Use los agujeros ranurados para ajustar su ubicación.

**⚠ PRECAUCIÓN:** El uso incorrecto podría reducir la capacidad de sujeción del perno tirafondo. **NO apriete excesivamente los pernos tirafondo.**

Vaya al PASO 3 en la PÁGINA 19.



## PASO 2C Fijar la placa de pared



## Instalación en paredes con montantes de acero VER PÁGINA 14

**Kit de anclaje para paredes con montantes de acero #SSMK1 (no incluido) - Póngase en contacto con el Servicio de Atención al Cliente en el 1-888-333-9952 para que le envíen estas herramientas adicionales directamente a su hogar.**

### **⚠ PRECAUCIÓN:** Evite lesiones personales y daños materiales.

- Los montantes deben tener al menos 2 x 4 pulgadas / 25 ga. de grosor
- Si la parte posterior de la pared no está terminada, se debe aplicar mampostería al menos en uno de los montantes a la izquierda y a la derecha de los montantes que se empleen para instalar el soporte
- La mampostería debe tener un grosor mínimo de 13 mm (1/2 pulg.) en cada lado de los montantes y una distancia mínima de 48 mm (1 7/8 pulg.) por detrás de la pared
- Los orificios guía DEBEN taladrarse hasta una profundidad de 26 mm (1 pulg.), utilizando una broca de 13 mm (1/2 pulg.) de diámetro
- Este producto debe ubicarse en el centro de los montantes
- El tipo de montante y la resistencia estructural deben ajustarse a la Normativa norteamericana para el diseño de componentes estructurales de acero forjado en frío [362 S 125 18, C-Forma, S - Sección de montante]
- La mampostería se debe fijar a los montantes con tornillos de 304,8 mm (12 pulg.) en el centro

1. Localice los montantes. Verifique el centro de los montantes utilizando un punzón, un clavo fino o un localizador de montantes de borde a borde. Nivele la plantilla de la placa de pared **06** y fíjela con cinta adhesiva en el lugar. **NOTA:** No utilice las tres ranuras del medio para instalar el soporte en un montante de acero.



**NOTA:** Durante la operación, su televisor cambia 2.28 pulgadas (58 mm) cuando se retrae o extiende. La placa de pared y los soportes de TV tienen ajustes incorporados para ayudar a ajustar su ubicación de TV.

2. Taladre los orificios guía utilizando una broca de 13 mm (1/2 pulg.) de diámetro y luego quite la plantilla de la placa de pared **06**.
3. Coloque los tacos Snaptoggle **S1** plegando el canal metálico hasta que este se encuentre en la misma posición horizontal que las tiras de plástico. Deslice el canal metálico hacia el interior del orificio taladrado.
4. Sostenga las tiras plásticas desde las puntas y tire hacia usted hasta que el canal de metal se encuentre nivelado detrás del panel de yeso.
5. Deslice la tapa de plástico a través de las tiras y hacia el orificio, con el borde de la tapa nivelado en contra de la pared.
6. Doble las tiras de un lado a otro hasta que se partan y queden niveladas con el borde de la tapa.
7. Instale el montaje de la placa de pared **07** utilizando cuatro tornillos **S3** y tres arandelas **S2**. Apriete todos los tornillos **S3** solo hasta que queden firmemente sujetos contra la placa de pared **07**.



**CONSEJO:** Use los agujeros ranurados para ajustar su ubicación.

**⚠ PRECAUCIÓN:** El uso incorrecto podría reducir la capacidad de sujeción de los tornillos **S3**. **NO apriete excesivamente los tornillos S3.**

## PASO 3 Colgar el televisor en la placa de pared



**¡PRODUCTO PESADO!**  
Podría necesitar ayuda para realizar esta operación.

ver página 19

**! PRECAUCIÓN:** Evite posibles lesiones físicas y daños materiales. Los soportes del televisor pueden contener puntos de compresión durante la operación.

Mantenga los dedos alejados de los puntos de compresión al retraer el televisor. (observe las flechas)

1. Extienda los soportes de montaje **04** y **05**.
2. Alinee los extremos de los soportes de montaje **04** y **05** con su televisor.

**NOTA:** Los soportes del televisor (TV) se pueden colocar en cualquier lugar a lo largo de la placa de pared para contrarrestar el desplazamiento de 2,28 in (58 mm) durante el funcionamiento del TV (extender / retraer). Ver PÁGINA 4 para detalles de compensación.

3. Determine en qué parte de la placa de pared desea colocar su televisor. Instale el montaje del soporte del televisor; para esto, encaje los enganches superiores de los soportes del montaje **04** y **05** sobre el borde superior de la placa de pared **07**. **! IMPORTANTE:** Asegúrese de que AMBOS soportes de TV estén conectados.
4. Pivotar los soportes de montaje **04** y **05** hacia abajo hasta que se apoyen en la placa de pared **07**. Instalar los tornillos de fijación **10** para fijar el brazo de la placa **07** de la pared.

**! IMPORTANTE:** ANTES DE MOVER SU TV, apriete los tornillos **10** para instalar correctamente el ensamblaje.

**! PRECAUCIÓN:** Evite posibles lesiones personales o daños materiales. Se deben instalar tornillos **10** para sujetar los brazos a la placa de pared **07**. Puede ser necesario un apriete periódico.

## Organizar los cables

ver página 21

Cambie la posición de su televisor para poder conectar los cables y, a continuación, ajústelo como desee.

**! PRECAUCIÓN:** Evite posibles lesiones físicas y daños materiales. Los soportes del televisor pueden contener puntos de compresión durante la operación. Mantenga los dedos alejados de los puntos de compresión al retraer el televisor. (observe las flechas)

## Ajustes

ver página 21

### AJUSTE LA EXTENSIÓN / REPLIEGUE

VER PÁGINA 21

Si el televisor no se extiende o se retira correctamente, retire el televisor (consulte la PÁGINA 22) y vuelva a instalar el siguiente PASO 3 en la PÁGINA 19.

**! IMPORTANTE:** ANTES DE MOVER SU TV, apriete los tornillos **10** mostrados en la PÁGINA 20 para instalar correctamente el ensamblaje.

### AJUSTE DE LA INCLINACIÓN

VER PÁGINA 21

El televisor debe acomodarse fácilmente al moverlo, y luego quedar en su lugar. Si el televisor está demasiado suelto o demasiado ajustado, ajuste las perillas de tensión lateral **T**.

**NOTA:** Una vez que el televisor esté en su lugar, ajuste las perillas de tensión lateral **T** para evitar un movimiento indeseado.

### EXTRACCIÓN DEL TELEVISOR

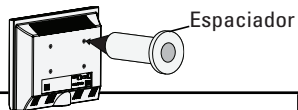
VER PÁGINA 22

### DESPLAZAMIENTO LATERAL DEL TELEVISOR

VER PÁGINA 22

- 30 1. Retire el televisor de la pared. 2. Determine en qué parte de la placa de pared desea colocar su televisor. 3. Para volver a colgarlo, siga el procedimiento descrito en el PASO 3 en la PÁGINA 19.

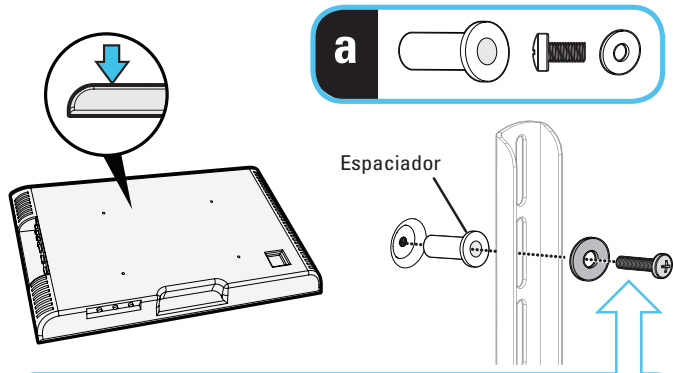
## Espaciadores suministrados con el televisor



**A** Utilice el espaciador suministrado con el televisor para:

- **Televisor con dorso plano** [Los soportes del televisor **04** se apoyan de manera plana en él]

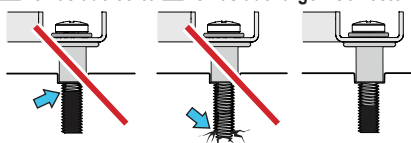
**NOTA:** Los tornillos M8 se pueden utilizar sin las arandelas para lograr un mayor enrosque del tornillo.



**⚠ PRECAUCIÓN:** Evite posibles lesiones personales y daños materiales. Use la longitud de tornillo adecuada para la rosca correspondiente.

**⚠ Demasiado corto**   **⚠ Demasiado largo**   **Correcto**

- Si es demasiado corto, no sujetará el televisor.
- Si es demasiado largo, dañará el televisor.

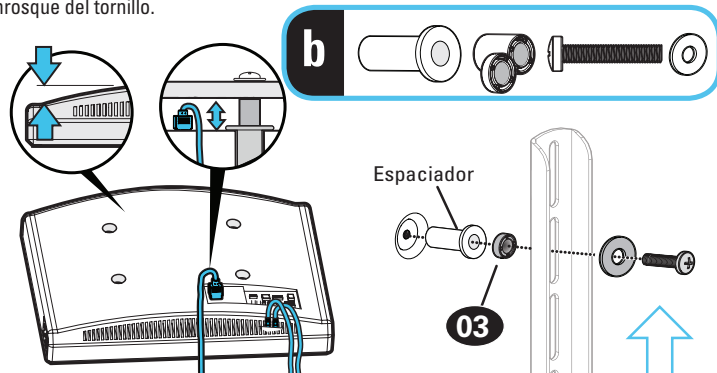


Si no está seguro acerca de cuáles son las herramientas que debe utilizar, póngase en contacto con el Servicio de Atención al Cliente al 1-888-333-9952.

**B** Use el espaciador suministrado con el televisor **03** y el espaciador en el caso de:

- **Televisor con dorso plano con necesidad de espacio adicional** [para orificios empotrados o interferencia de cables]
- **Televisores con dorso plano o irregular** [Los soportes del televisor **04** NO se apoyan de manera plana en él]

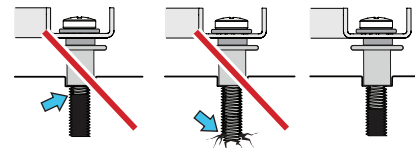
**NOTA:** Los tornillos M8 se pueden utilizar sin las arandelas para lograr un mayor enrosque del tornillo.



**⚠ PRECAUCIÓN:** Evite posibles lesiones personales y daños materiales. Use la longitud de tornillo adecuada para la rosca correspondiente.

**⚠ Demasiado corto**   **⚠ Demasiado largo**   **Correcto**

- Si es demasiado corto, no sujetará el televisor.
- Si es demasiado largo, dañará el televisor.





Thank you for choosing SANUS Vuepoint! Please take a moment to let us know how we did:



Call us: 1-888-333-9952



Email us: [info@sanus.com](mailto:info@sanus.com)



Leave a review: [vuepoint.sanus.com](http://vuepoint.sanus.com)

Milestone AV Technologies and its affiliated corporations and subsidiaries (collectively, "Milestone"), intend to make this manual accurate and complete. However, Milestone makes no claim that the information contained herein covers all details, conditions, or variations. Nor does it provide for every possible contingency in connection with the installation or use of this product. The information contained in this document is subject to change without notice or obligation of any kind. Milestone makes no representation of warranty, expressed or implied, regarding the information contained herein. Milestone assumes no responsibility for accuracy, completeness or sufficiency of the information contained in this document.

©2018 Milestone AV Technologies. All rights reserved. SANUS is a division of Milestone.

All other brand names or marks are used for identification purposes and are trademarks of their respective owners.

**Milestone Global Headquarters • 6436 City West Parkway • Eden Prairie, MN 55344 USA**

**6902-602023 00**