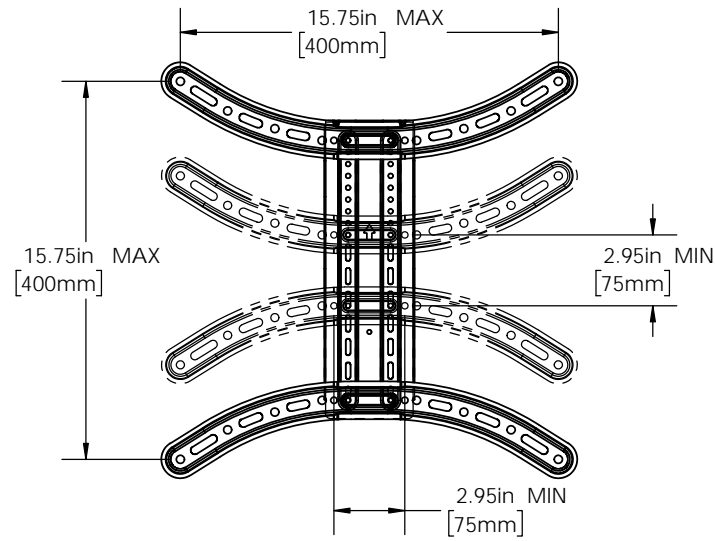


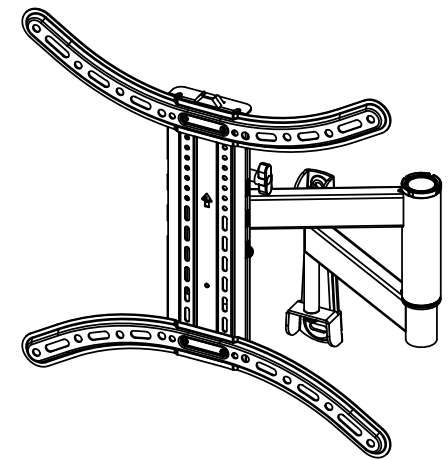
**TV INTERFACE**



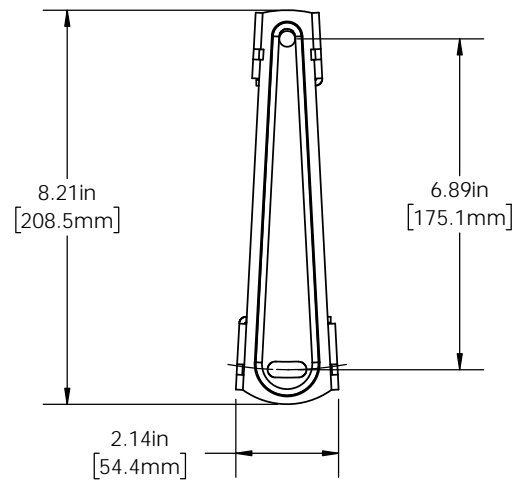
**18" MEDIUM FULL MOTION  
 6805-002397-XXX**

THE INFORMATION AND DESIGNS CONTAINED IN THIS DRAWING ARE CONFIDENTIAL AND THE PROPRIETARY PROPERTY OF LEGRAND | AV. NEITHER THIS DESIGN NOR ANY INFORMATION CONTAINED IN THIS DRAWING MAY BE REPRODUCED OR DISCLOSED TO OTHERS WITHOUT THE EXPRESS WRITTEN CONSENT OF LEGRAND | AV.  
 本图纸所包含的信息和设计均系 LEGRAND | AV 机密和知识产权。本图纸包含的设计和信息未经 LEGRAND | AV 书面同意均不得复制或 者泄露给他人

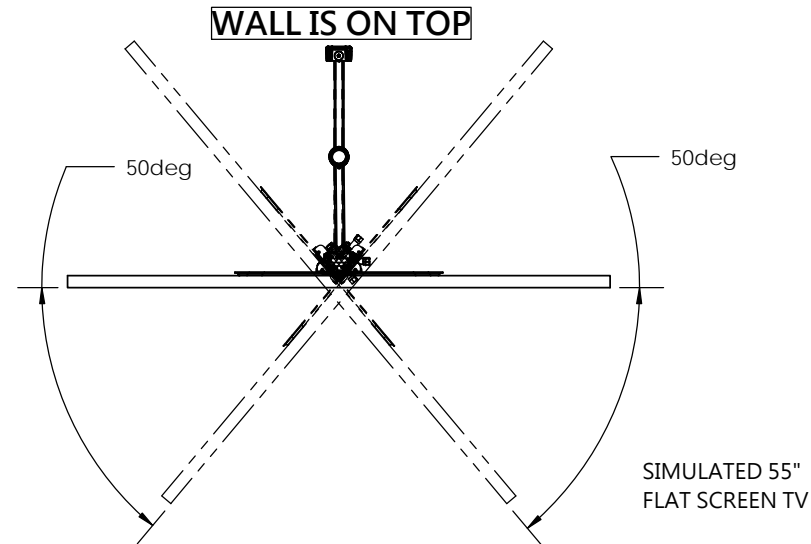
**3-D**



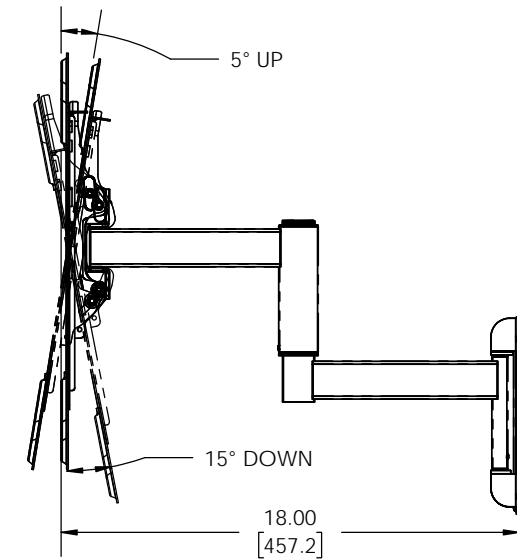
**WALL PLATE**



**TOP VIEW - EXTENDED**

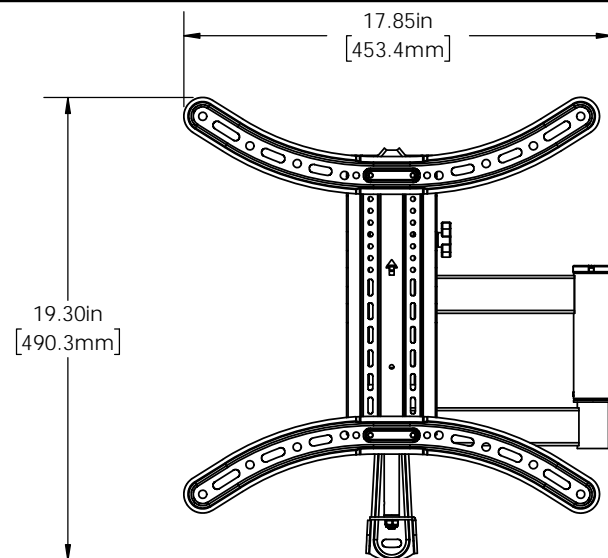


**SIDE VIEW - EXTENDED**

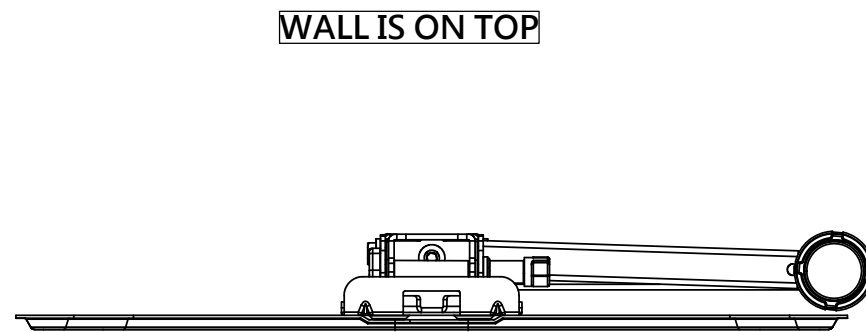


WALL IS ON RIGHT

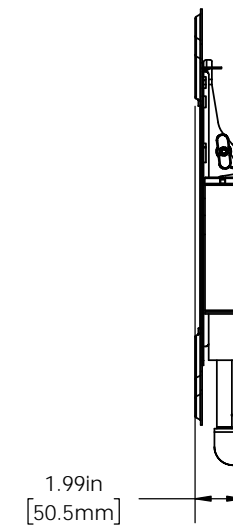
**FULLY ASSEMBLED MOUNT**



**TOP VIEW - RETRACTED**



**SIDE VIEW RETRACTED**



WALL IS ON RIGHT

# 18" MEDIUM FULL MOTION 6805-002397-XXX

