

VUEPOINT™

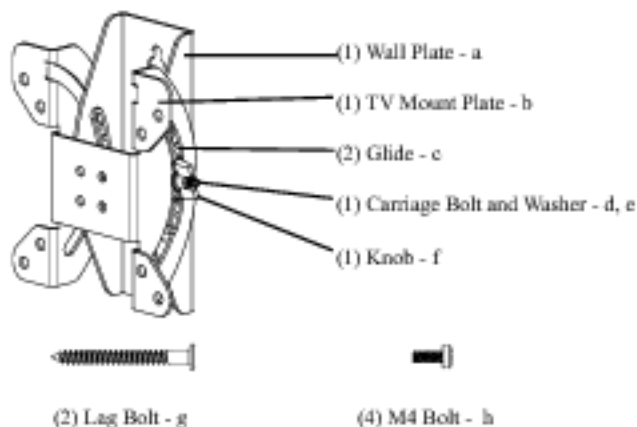
Assembly Instructions for Model: FPM10

Thank you for choosing Sanus Systems wall mount furniture. This product is designed to mount VESA 75/100 LCD televisions up to 50 pounds onto a vertical wall. It allows you to effortlessly tilt your new television up to 15° up or down without the use of tools. Check carefully to make sure there are no missing or defective parts. Never use defective parts. Improper installation may cause damage or serious injury. If you do not understand these directions, or have any doubts about the safety of the installation, please call a qualified contractor or contact Sanus at 800.359.5520 or www.sanus.com. We can quickly assist you with installation questions and missing or damaged parts. Replacement parts for Sanus products purchased through authorized dealers will be shipped directly to you.

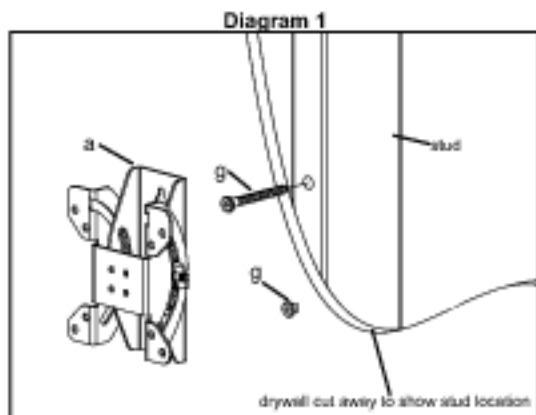
Note: The hardware provided is for wood stud walls only. If you are uncertain about the nature of your installation please consult a local contractor.

Required Tools: Drill with 3/16" bit, Phillips screw driver

Supplied Parts:



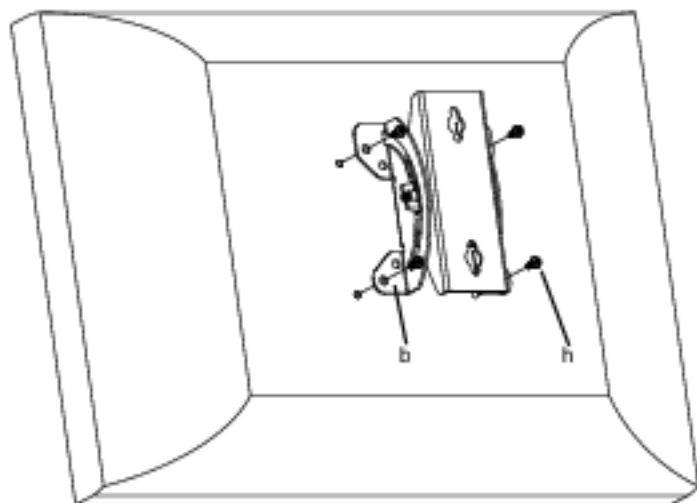
Mounting the Wall Plate: Wood Stud Installation - Use a high quality stud sensor to locate a stud. It is a good idea to verify where the stud is located with an awl or thin nail. Use the Wall Plate as a template to mark the two hole locations on the wall. Make sure these holes are aligned vertically and centered over the stud. Pre-drill the two holes using a 3/16" drill bit. Tighten the Lag Bolts until they protrude 1/4 inch from the wall. You will firmly tighten the Lag Bolts during final assembly. See Diagram 1 below.



Attaching the Monitor Plate to the TV:

Mount the assembly to the back of your LCD television using the M4 Bolts (h) as shown in Diagram 2. Place the four M4 Bolts through the holes in TV Mount Plate (b) and tighten into the VESA bolt mounting pattern on the back of the television. See Diagram 2 for assistance.

Diagram 2



Final Assembly:

Hang the assembly over the Lag Bolts (g) using the key-holes in the Wall Plate. Once the Wall Plate slides down over the Lag Bolts, firmly tighten them with the Allen Key (j). See Diagram 3 below.

Diagram 3

Detailed View

