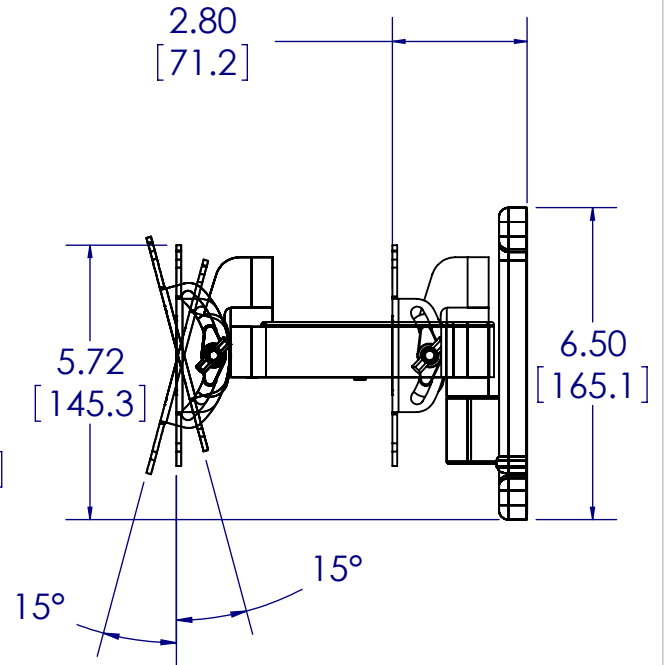
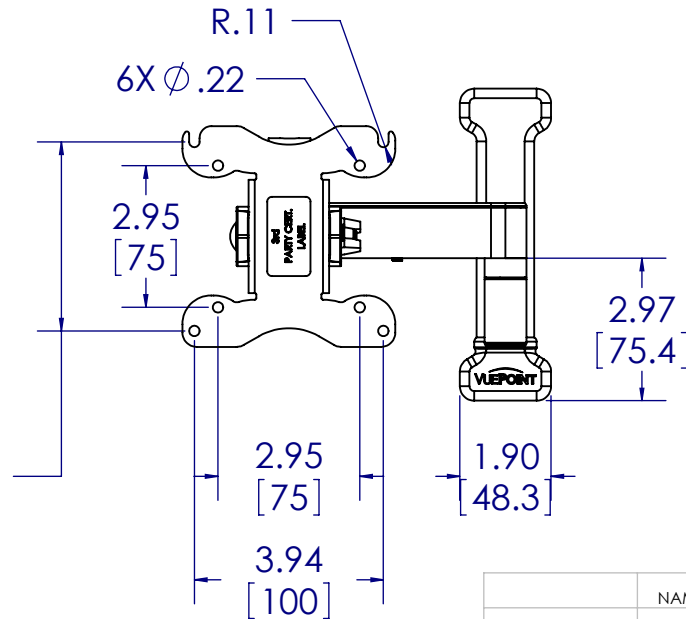
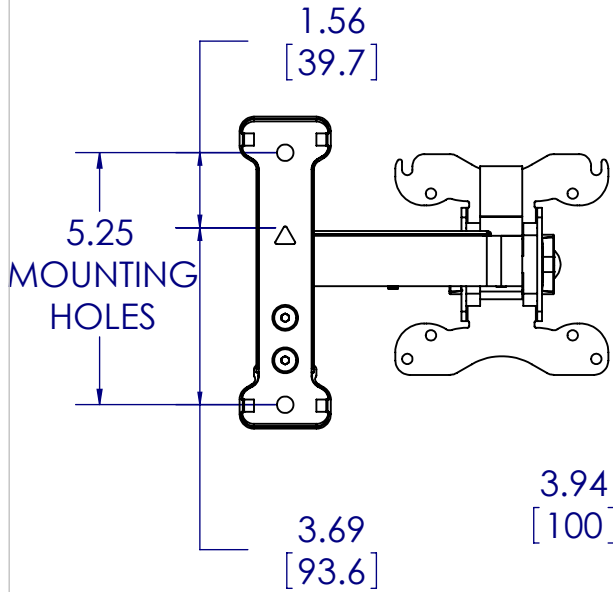
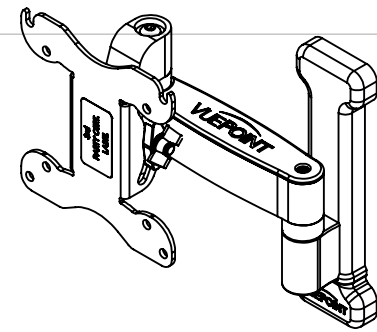
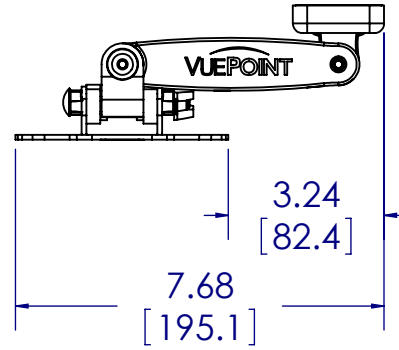


MAXIMUM WEIGHT CAPACITY:  
30 LBS.  
VESA 75X75 100X100  
in [mm]



			SANUS SYSTEMS	
ENGINEER	J BURES	9/18/07	TITLE: <b>FPM107SF</b>	
DESIGNER	JKV	11/8/07		
APPROVED	JAS	2/21/08		
NOTES:				
TEMPLATE REV.: 04			SHEET 1 OF 1	

**PROPRIETARY AND CONFIDENTIAL**  
THE INFORMATION CONTAINED IN THIS  
DRAWING IS THE SOLE PROPERTY OF  
  
IN PART OR AS A WHOLE WITHOUT THE  
WRITTEN PERMISSION OF SANUS SYSTEMS  
IS PROHIBITED.