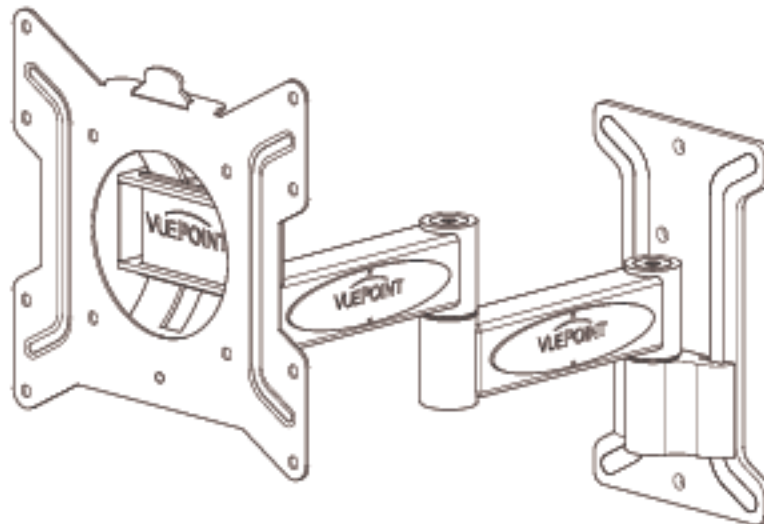


VUEPOINT™

FPM115MF

(6902-100088 <02>)



Thank you for choosing the VuePoint FPM115MF wall mount. The VuePoint FPM115MF wall mount is designed to support a monitor sized up to 37 in. (94 cm) and weighing up to 27 kg (60 lbs). Hardware for multiple mounting configurations is included.

WARNING

This product contains small items that could be a choking hazard if swallowed. Keep these items away from young children!

CAUTION

Do not use this product for any purpose not explicitly specified by CSAV. Improper installation or use may cause personal injury and/or property damage. If you do not understand these instructions, or if you have doubts about the safety of the installation, contact CSAV Customer Service. CSAV is not liable for injury or damage caused by incorrect installation or use.



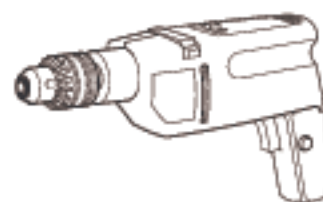
Hardware and procedures for multiple mounting configurations are included. When you see this symbol, choose the correct configuration to suit your needs. Not all hardware included will be used.



3/16 in.

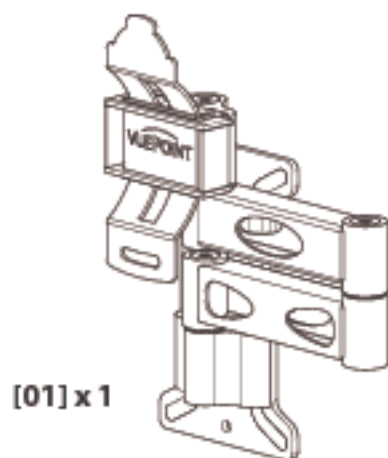


7/16 in.



Supplied Parts and Hardware

Before starting assembly, verify all parts are included and undamaged. If any parts are missing or damaged, do not return the item to your dealer; contact CSAV Customer Service. Never use damaged parts!



[01] x 1



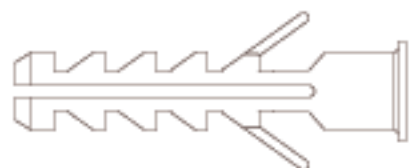
[02] x 1



[03] x 4



[04] x 2



[05] x 3



5/16 in.

[06] x 3



5/16 x 2.5 in.

[07] x 3



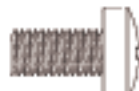
M4 x 10mm

[08] x 4



M5 x 12mm

[09] x 4



M6 x 12mm

[10] x 4



M4 x 30mm

[11] x 4



M5 x 30mm

[12] x 4



M6 x 35mm

[13] x 4



M4

[14] x 4



M5

[15] x 4



M6

[16] x 4



M4 / M5

[17] x 4



M6 / M8

[18] x 4



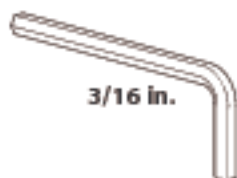
M4 / M5

[19] x 4



M6 / M8

[20] x 4



3/16 in.

[21] x 1



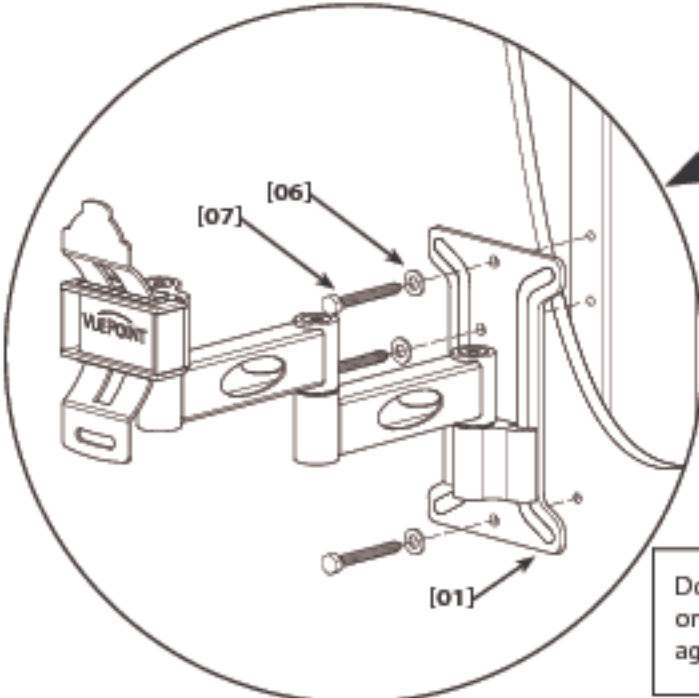
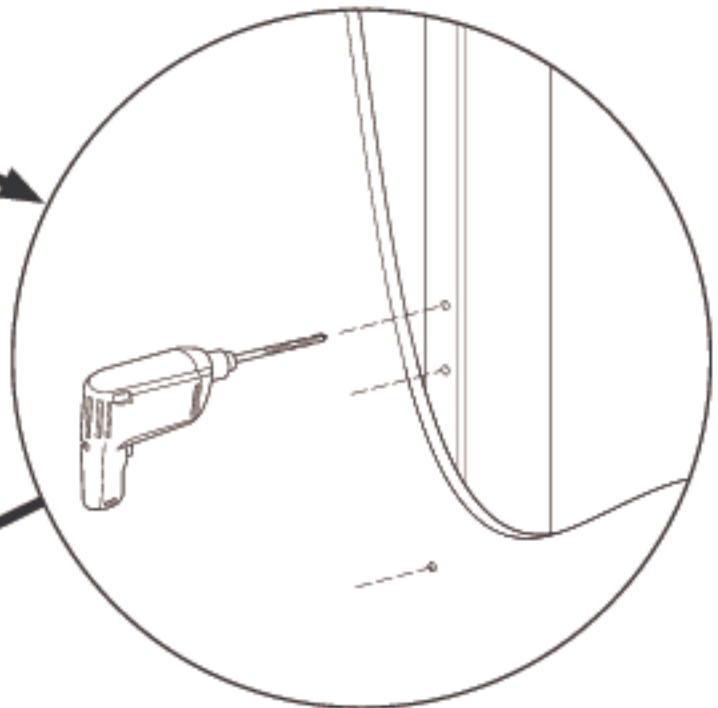
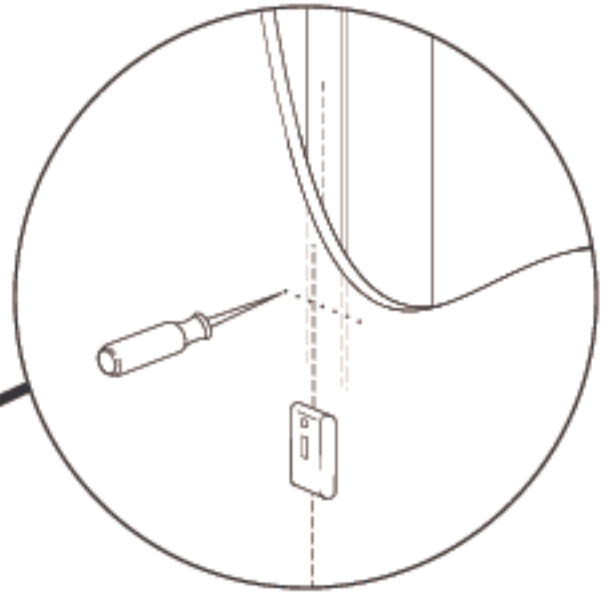
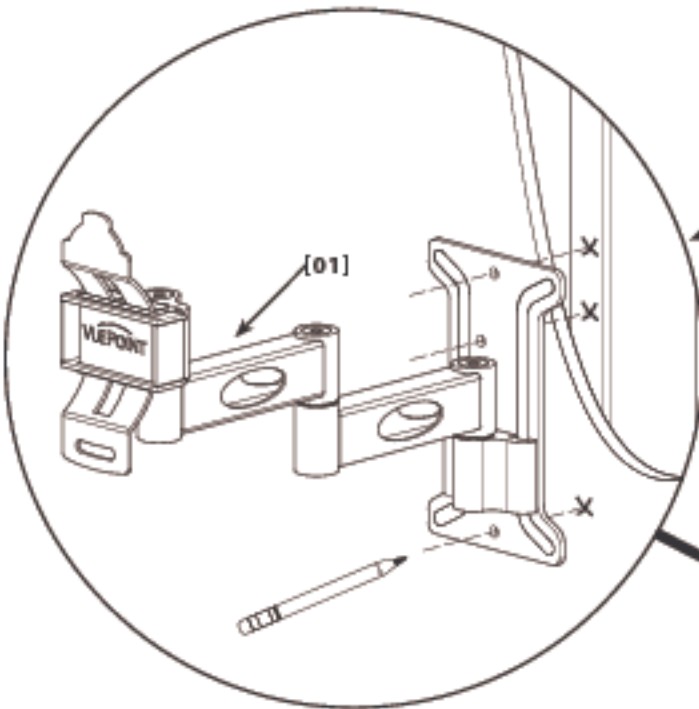
[22] x 1



[23] x 1

1: Install Mount to Wall

For Wood Stud Walls



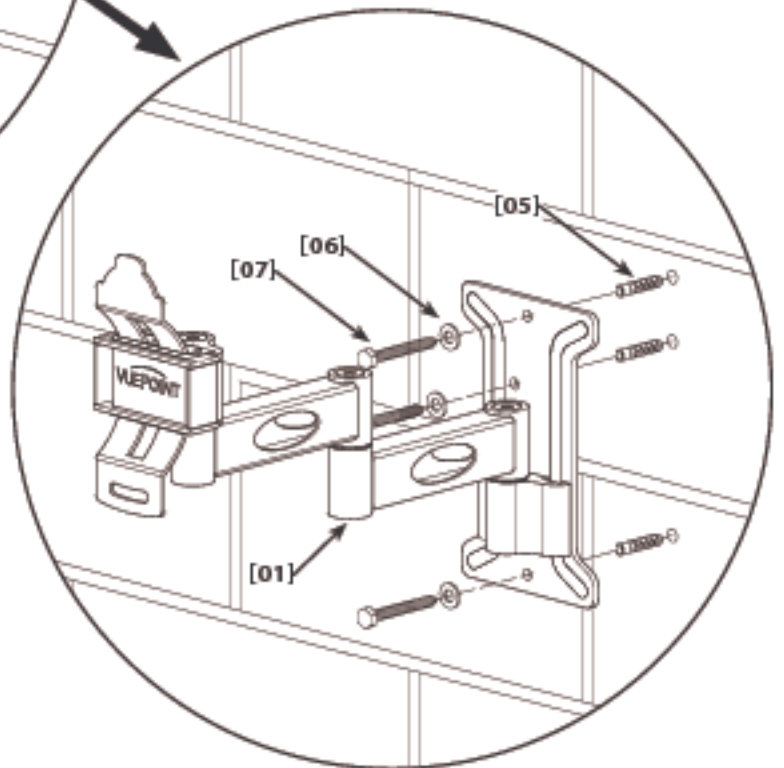
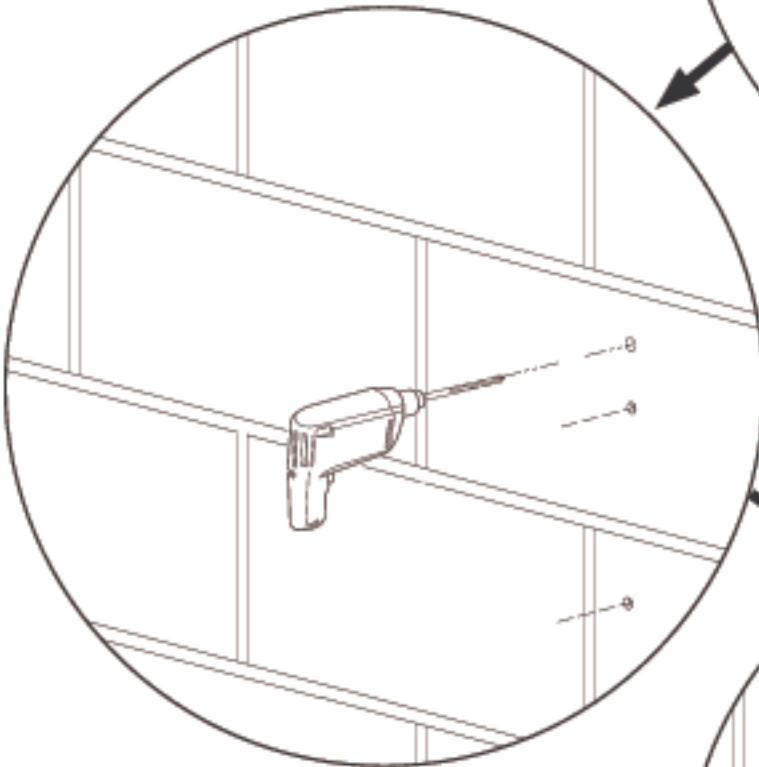
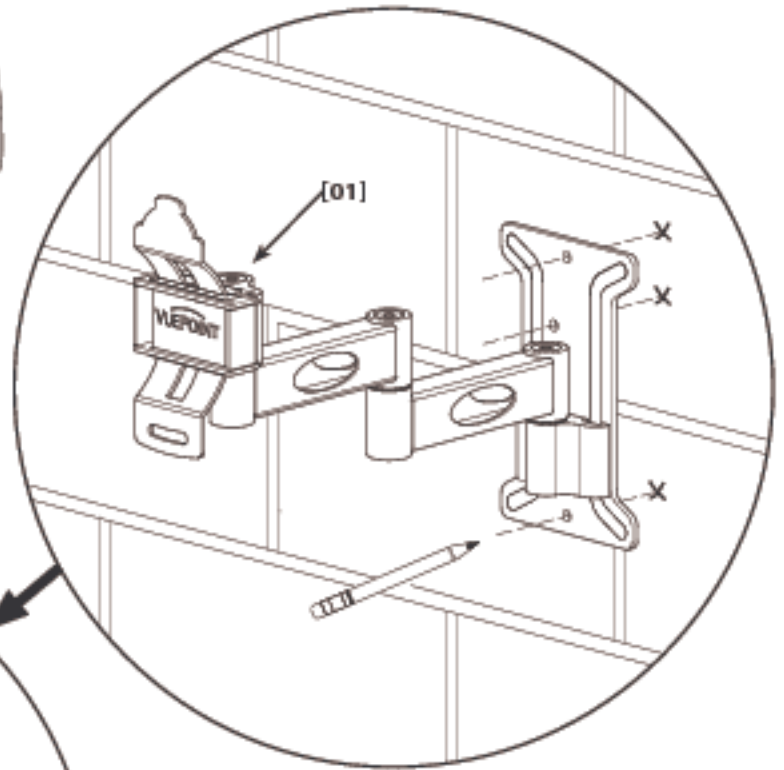
CAUTION

Avoid potential injuries or property damage! Be sure any wall covering is no thicker than 16 mm (5/8 in.).

NOTE

Do not overtighten the lag bolts [07]. Tighten only until the washers [06] are pulled firmly against the plate [01].

For Concrete Block Walls



CAUTION

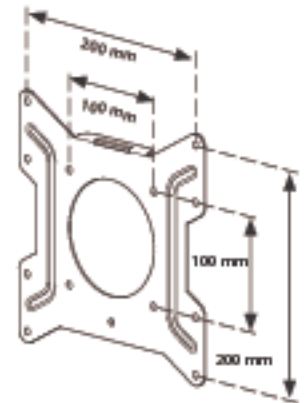
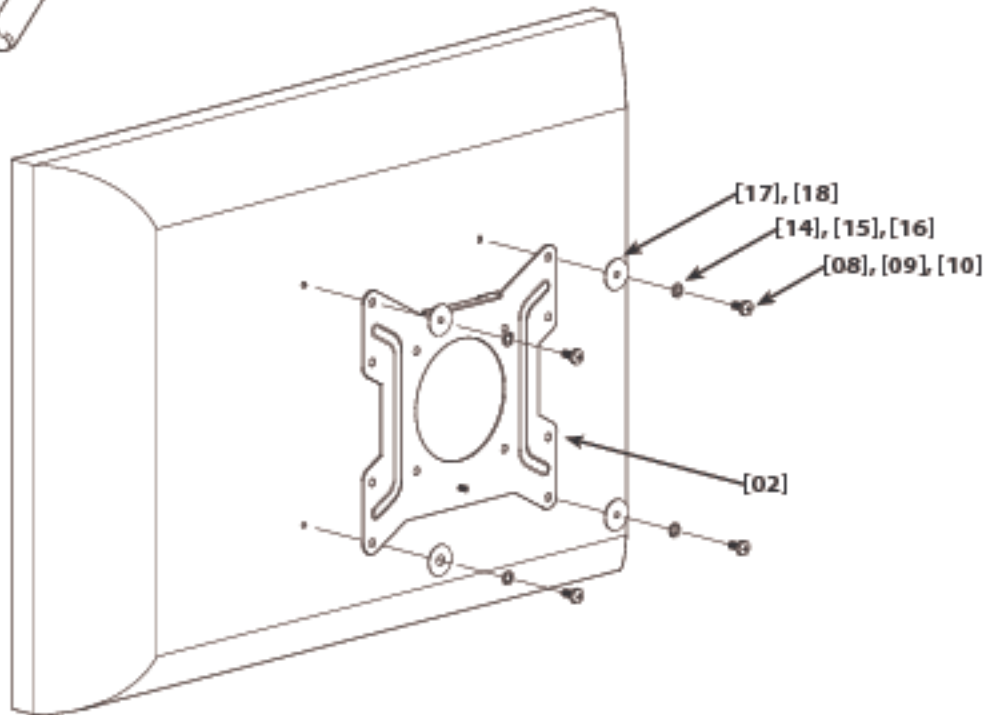
Avoid potential injuries or property damage!
The anchors [05] must sit flush against the concrete blocks. Be sure any wall covering is no thicker than 16 mm (5/8 in.).

CAUTION

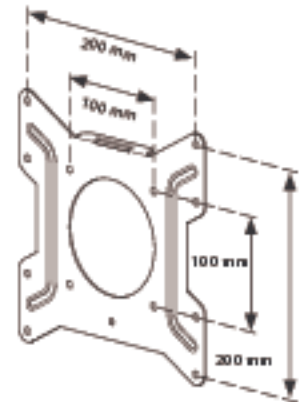
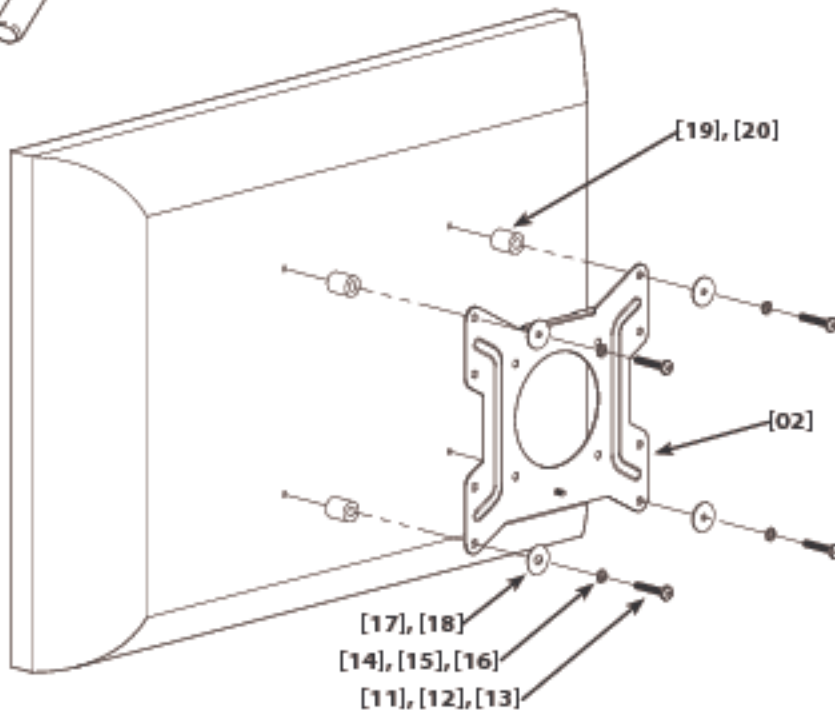
Avoid potential injuries or property damage!
Never drill into the mortar between the concrete blocks!

2: Install Plate to Monitor

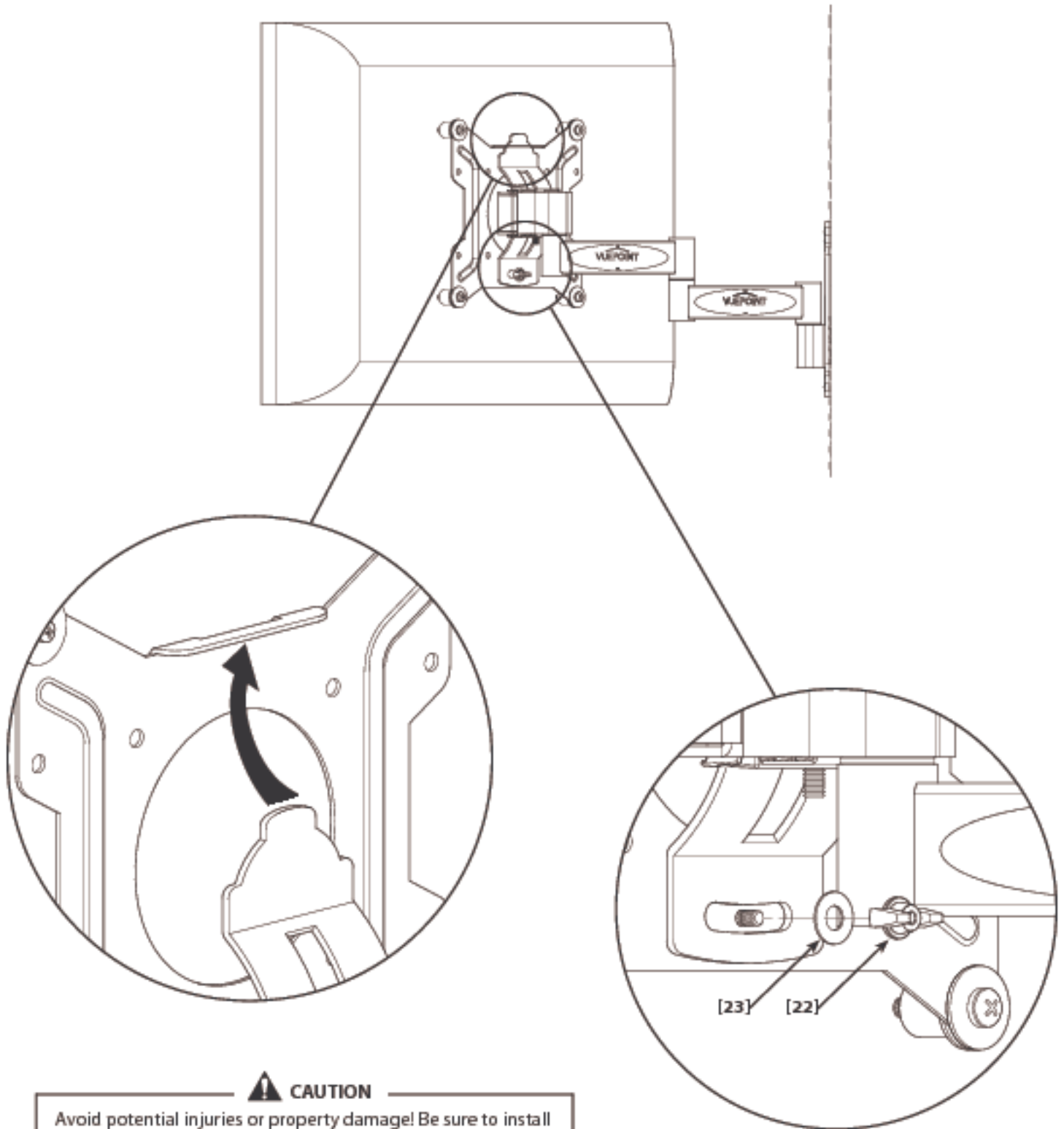
For Monitors with Flat Back



For Monitors with Curved Back or an Obstruction



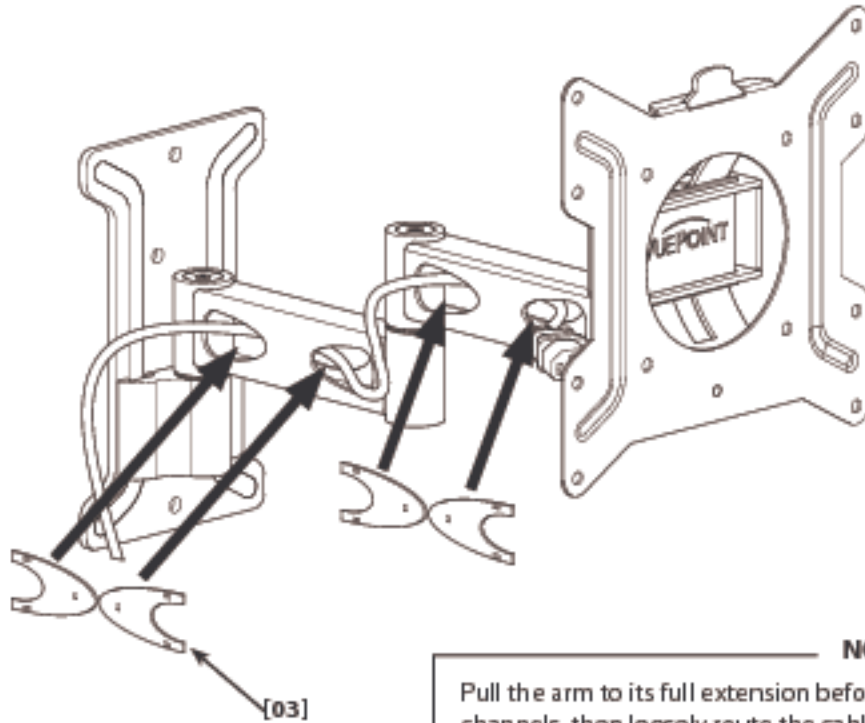
3: Install Monitor to Wall Mount



CAUTION

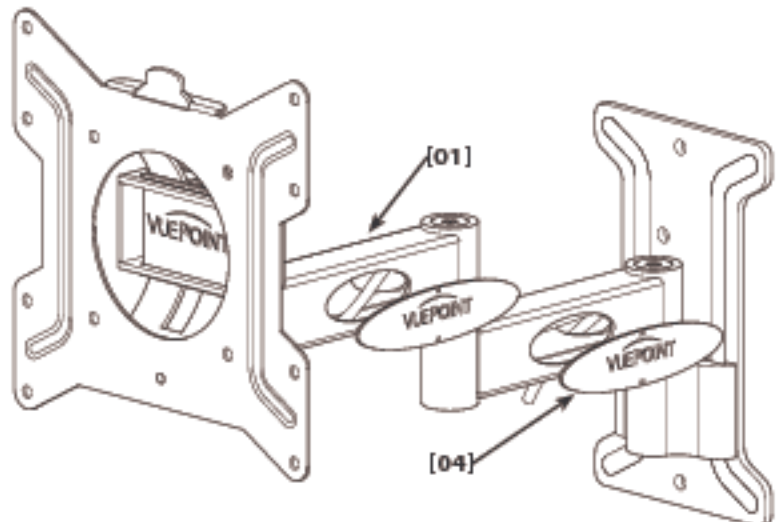
Avoid potential injuries or property damage! Be sure to install the flange nut [22] and washer [23] securely. This will prevent the monitor from separating away from the wall mount.

4: Run Cables and Install Covers



NOTE

Pull the arm to its full extension before routing the cables through the channels, then loosely route the cables. This will give the cables enough slack to prevent excess tension when adjusting the position of the arm.



NOTE

The locking tabs on the covers [03, 04] snap into the holes on the arm [01].

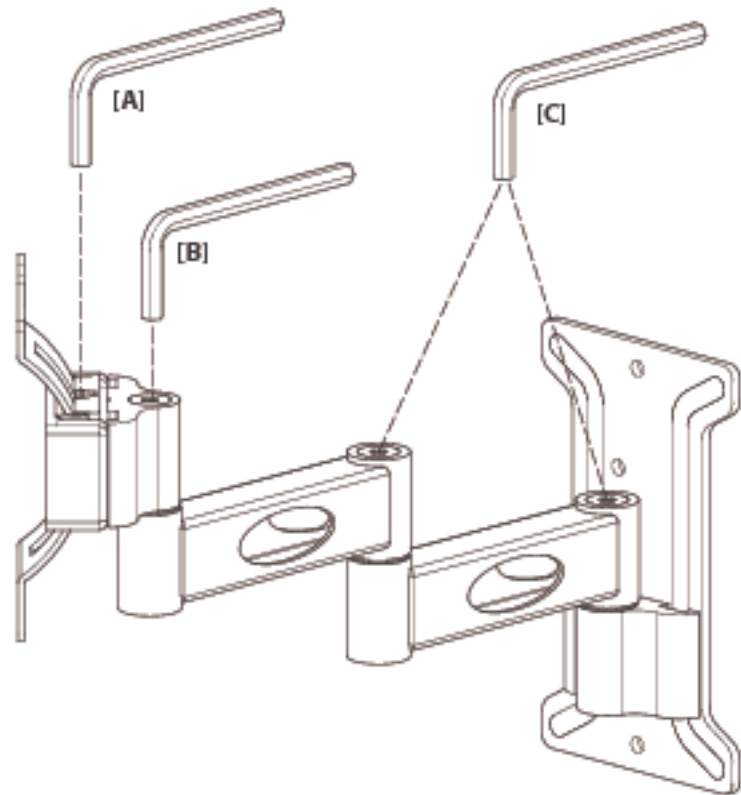
5: Adjust Tension



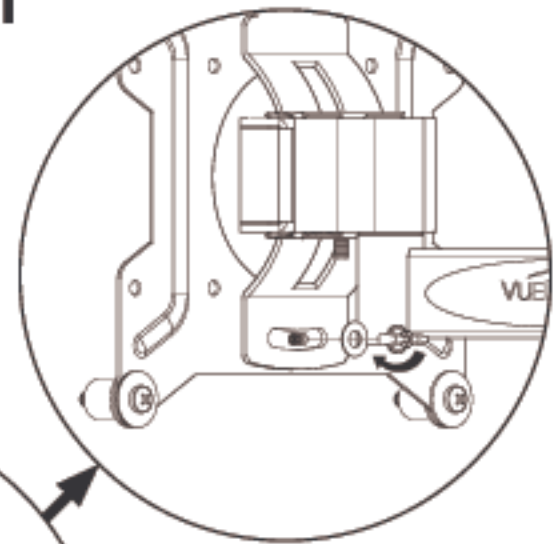
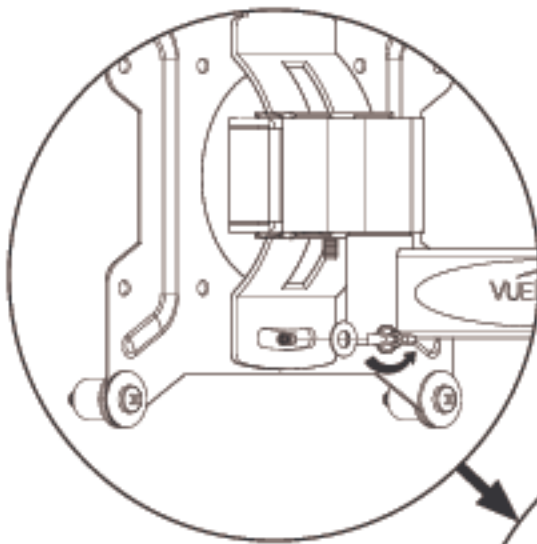
[21]

NOTE

Use the supplied Allen key [21] to adjust the tension of the tilt [A], the swivel [B], or the arm extension [C].



6: Adjust Roll



CAUTION

Avoid potential injuries or property damage! Be sure to re-install the flange nut [22] and washer [23] securely.

