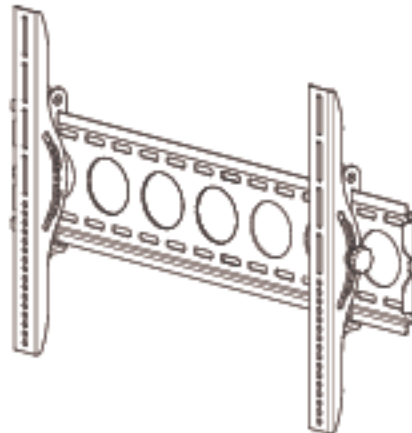


VUEPOINT™

FPM50b

[6902-100060 <01>]



Thank you for choosing the VuePoint FPM50b monitor mount. The FPM50b is designed to support flat-panel monitors 30 - 50 inches (76 - 127 cm), and weighing no more than 59 kg (130 lbs.). The FPM50b is adjustable, allowing $\pm 12^\circ$ of tilt.

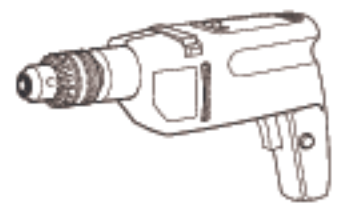


CAUTION

Do not use this product for any purpose not explicitly specified by VuePoint. Improper installation may cause property damage or personal injury. If you do not understand these directions, or have doubts about the safety of the installation, contact VuePoint Customer Service or call a qualified contractor. VuePoint is not liable for damage or injury caused by incorrect mounting, assembly, or use.



Hardware and procedures for multiple mounting configurations are included. When you see this symbol, choose the correct configuration to suit your needs. Not all hardware included will be used.



Supplied Parts and Hardware

Before starting assembly, verify all parts are included and undamaged. If any parts are missing or damaged, do not return the item to your dealer; contact VuePoint Customer Service. Never use damaged parts!



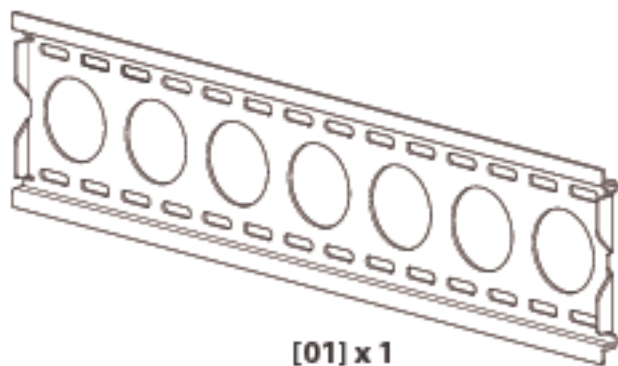
WARNING

This product contains small items that could be a choking hazard if swallowed. Keep these items away from young children!

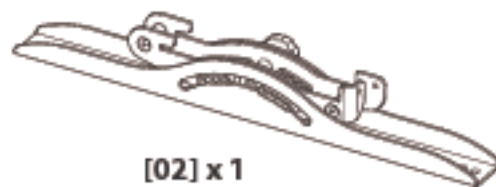


CAUTION

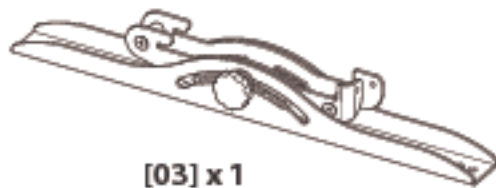
Avoid potential personal injuries and property damage! The monitor must be 30 - 50 inches (76 - 127 cm), and must weigh no more than 59 kg (130 lbs.). The wall must be capable of supporting up to five times the weight of the monitor and mount combined. If you have any doubts about the ability of the wall to support the monitor, contact VuePoint Customer Service, or a qualified contractor. This product is not designed for use in metal stud walls!



[01] x 1



[02] x 1



[03] x 1



[04] x 6



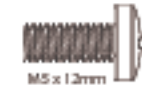
5/16 in.
[05] x 6



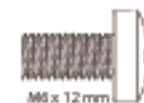
[06] x 6



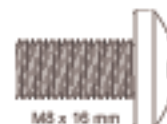
M4 x 12mm
[07] x 4



M5 x 12mm
[08] x 4



M6 x 12mm
[09] x 4



M8 x 16mm
[10] x 4



M4 x 30mm
[11] x 4



M5 x 30mm
[12] x 4



M6 x 35mm
[13] x 4



M8 x 40mm
[14] x 4



M4
[15] x 4



M5
[16] x 4



M6
[17] x 4



M8
[18] x 4



M4 / M5
[19] x 4



M6 / M8
[20] x 4



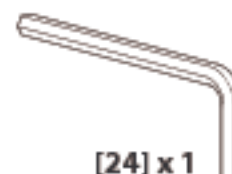
M4 / M5
[21] x 8



M6 / M8
[22] x 4

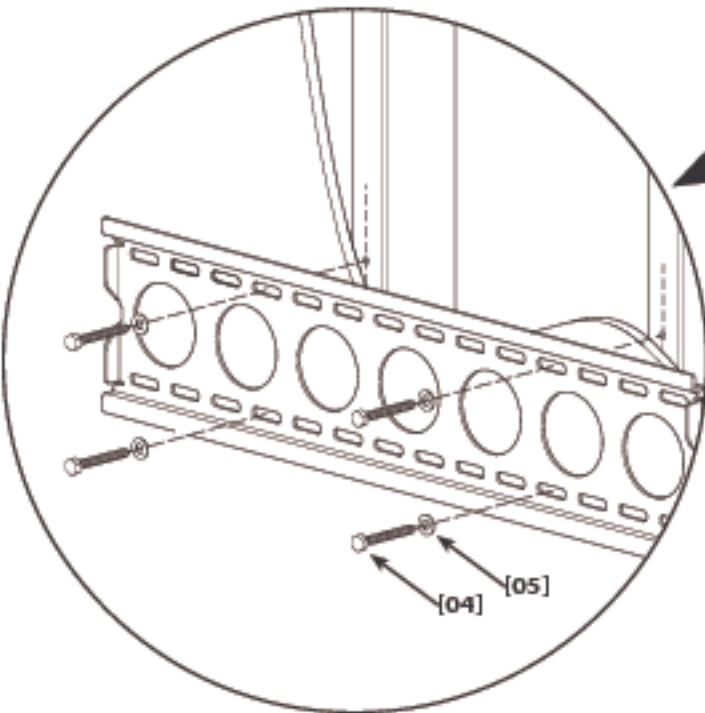
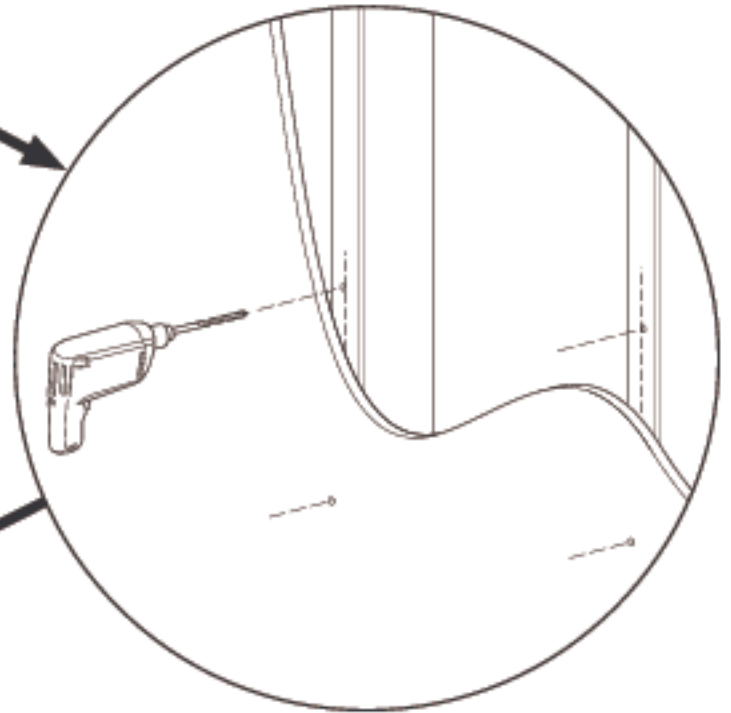
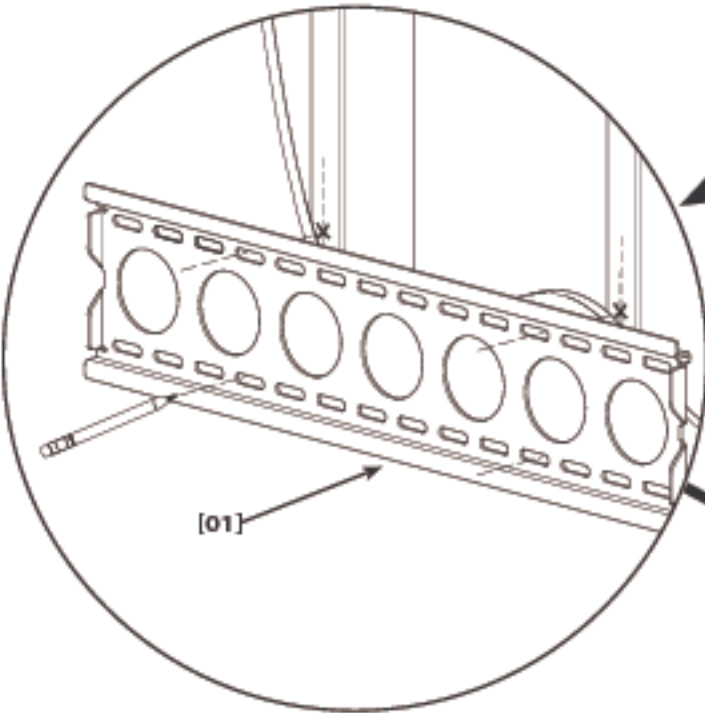
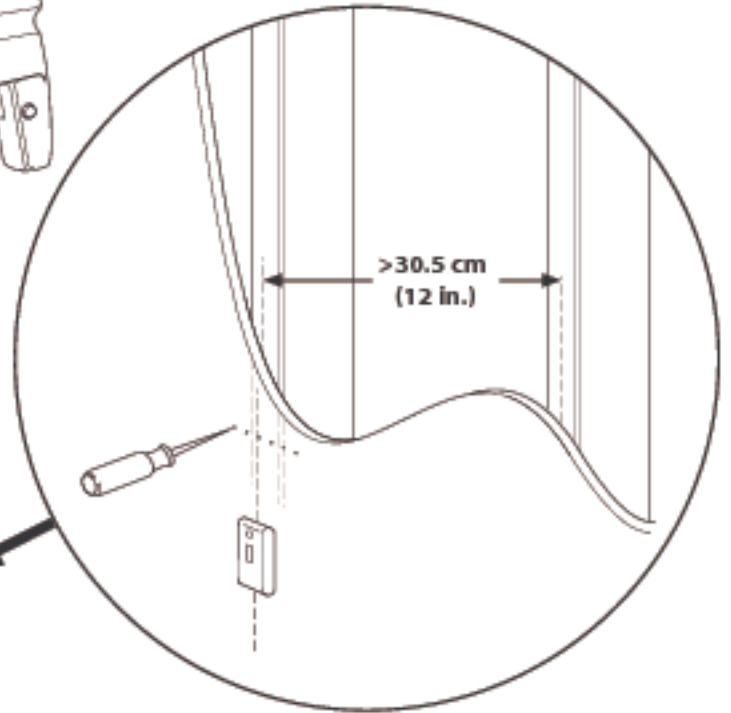


1/4-20 x 0.875 in.
[23] x 2



[24] x 1

1-1



CAUTION

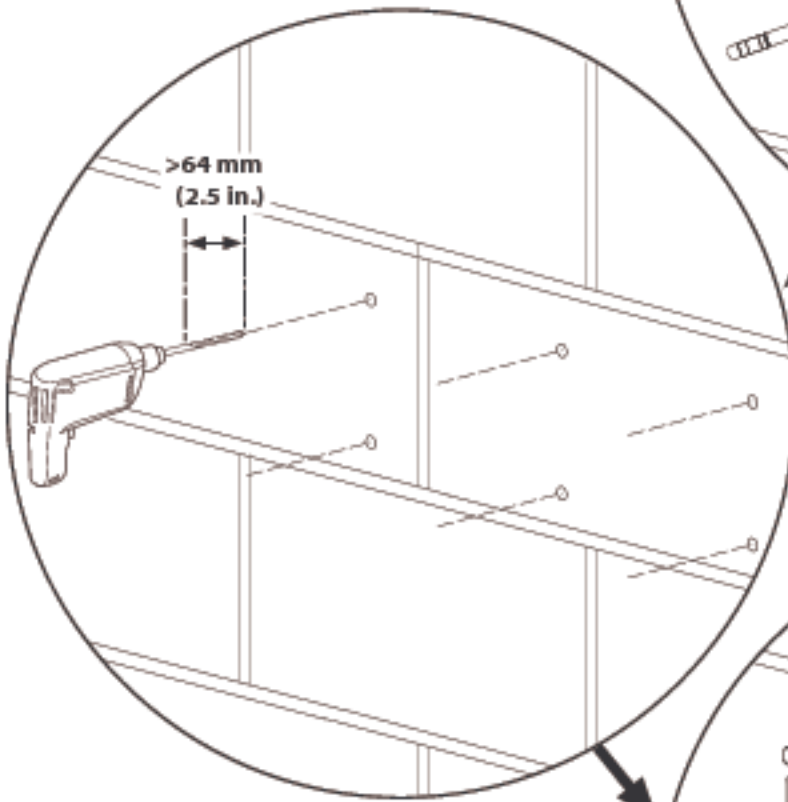
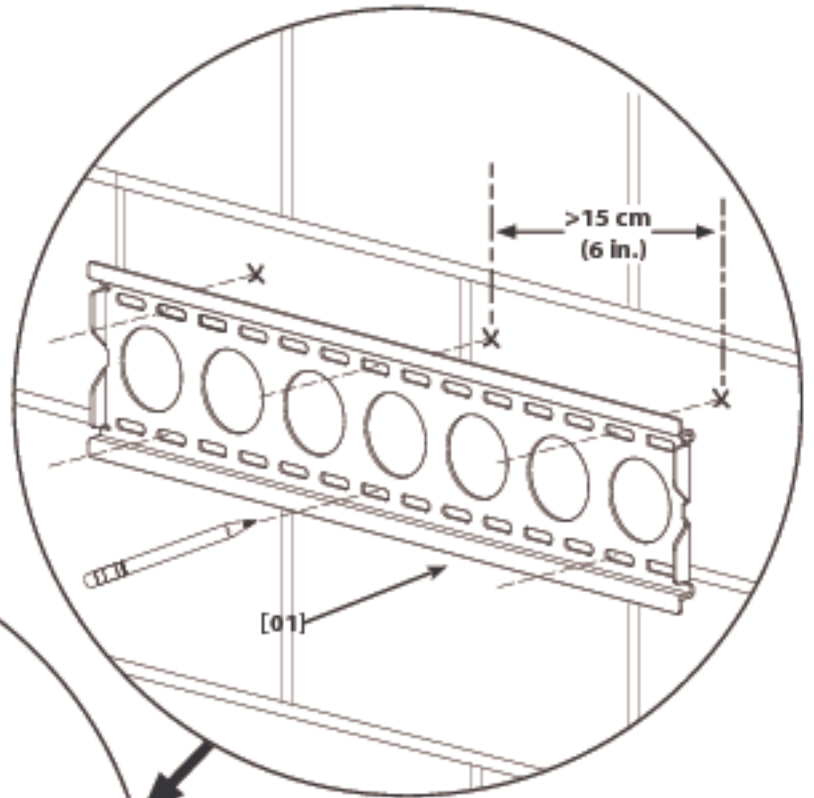
Do not overtighten the lag bolts! Tighten the lag bolts [04] only until the washers [05] are pulled against the wall plate [01].

1-2



CAUTION

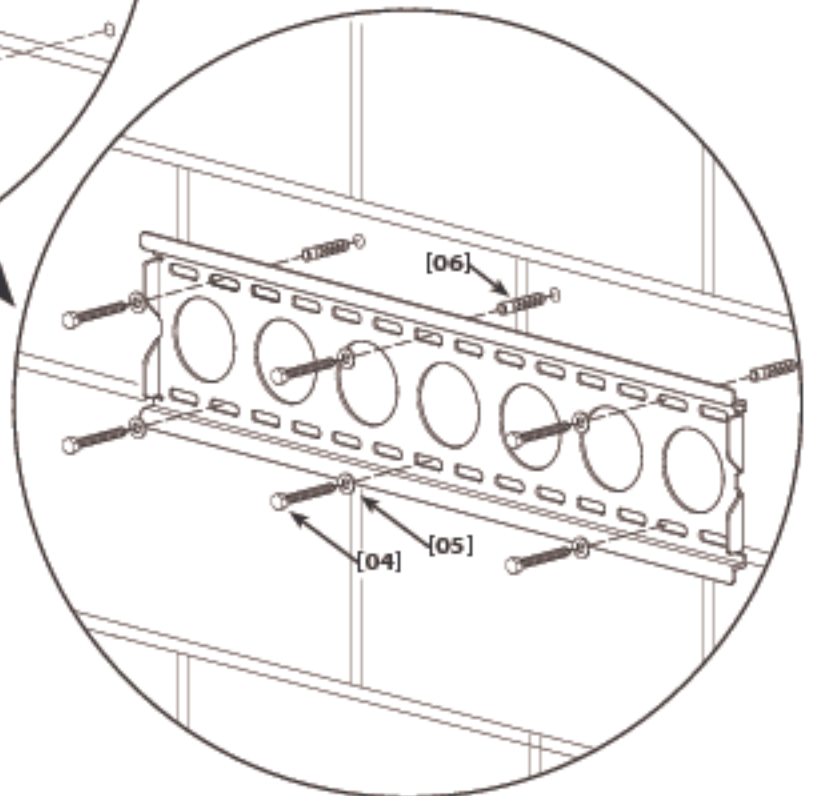
Avoid potential personal injuries or property damage! Never drill into the mortar between the blocks. Be sure the plastic anchors [06] seat flush with the blocks.



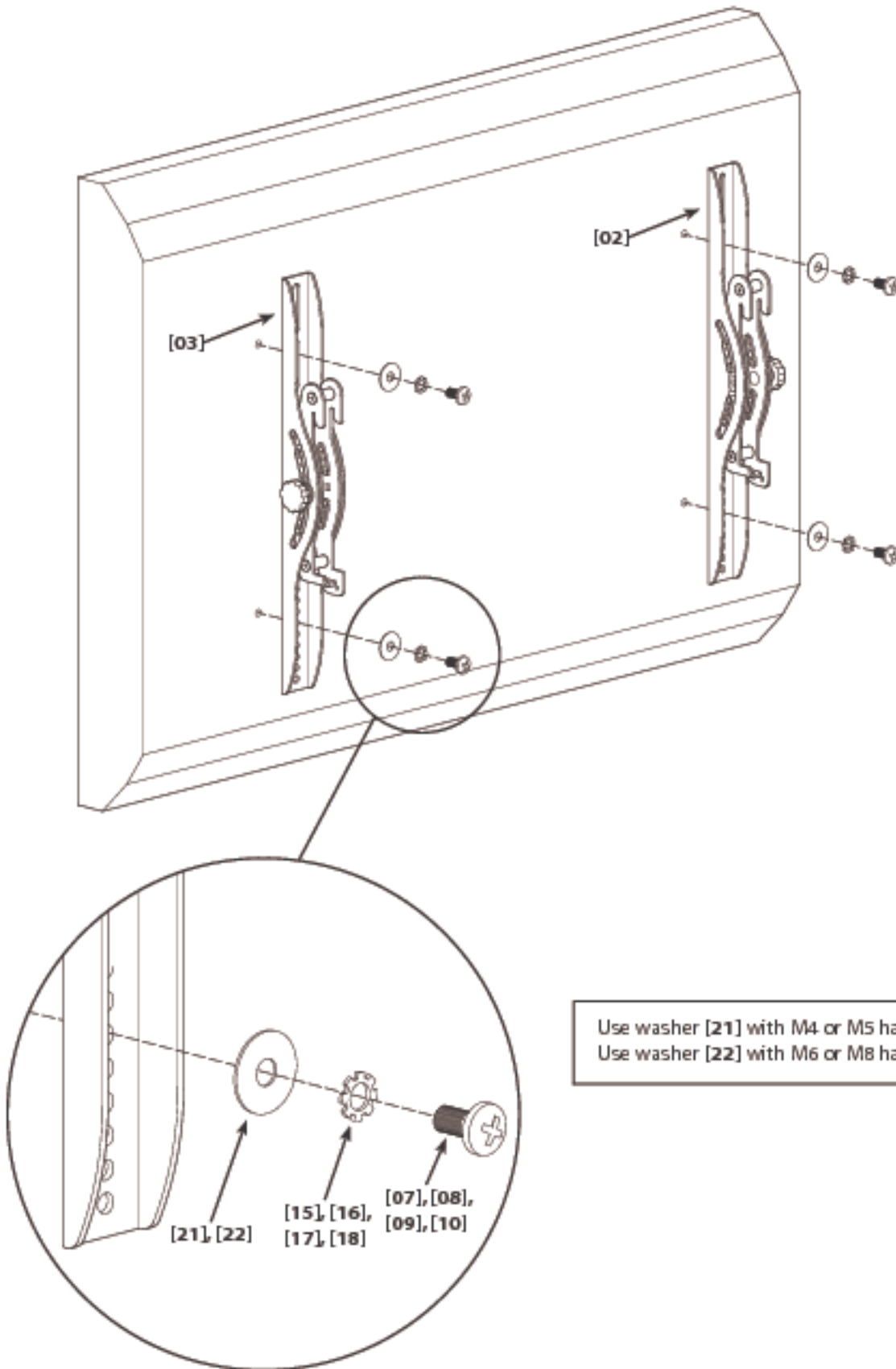
6x

CAUTION

Do not overtighten the lag bolts! Tighten the lag bolts [04] only until the washers [05] are pulled against the wall plate [01].

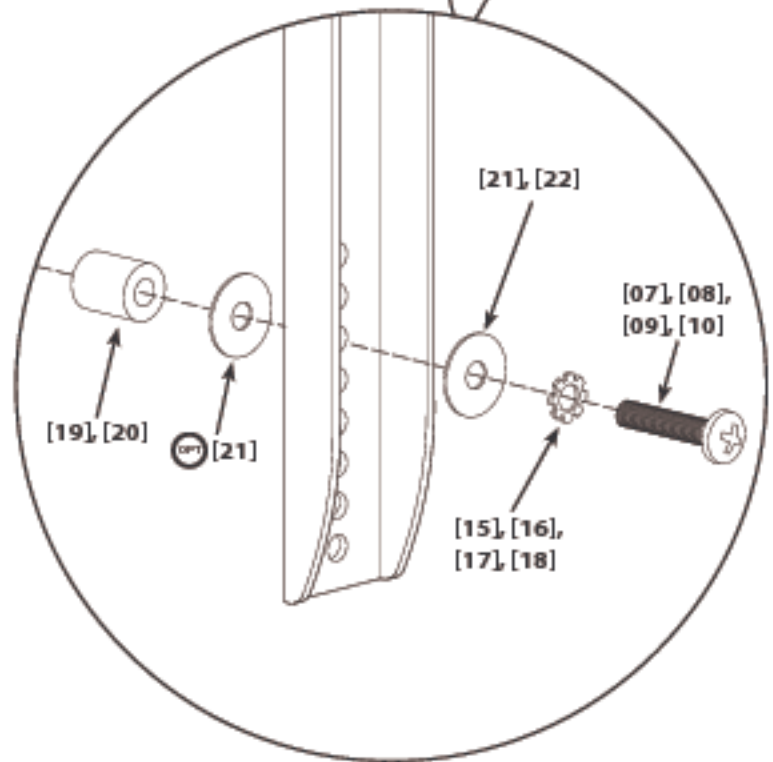
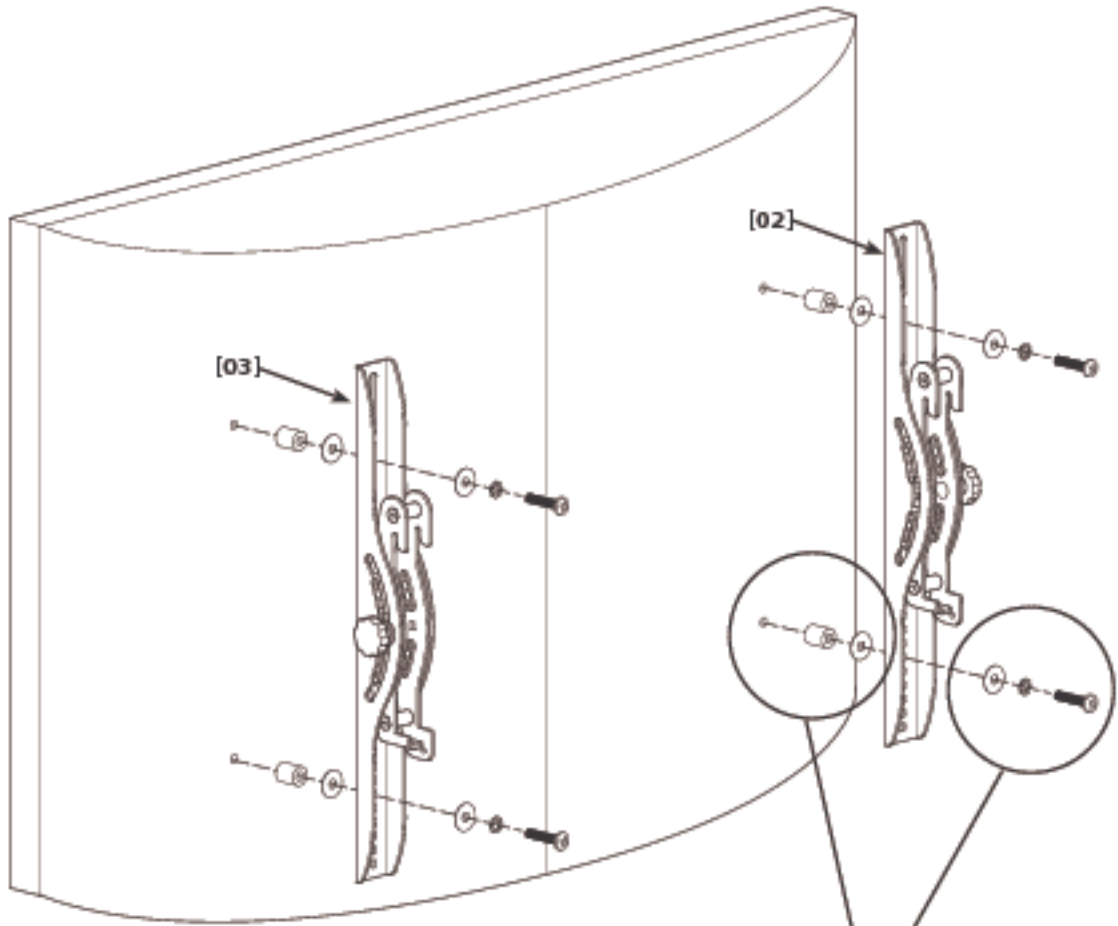


2-1



Use washer [21] with M4 or M5 hardware.
Use washer [22] with M6 or M8 hardware.

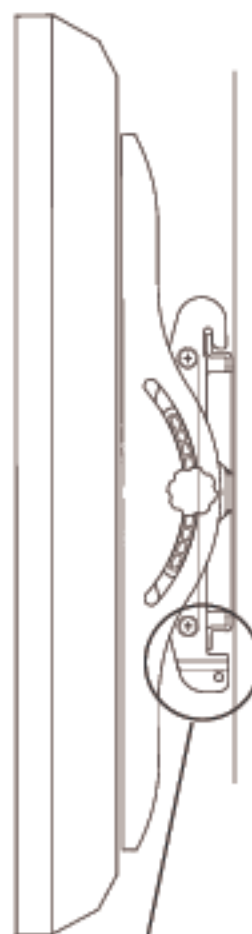
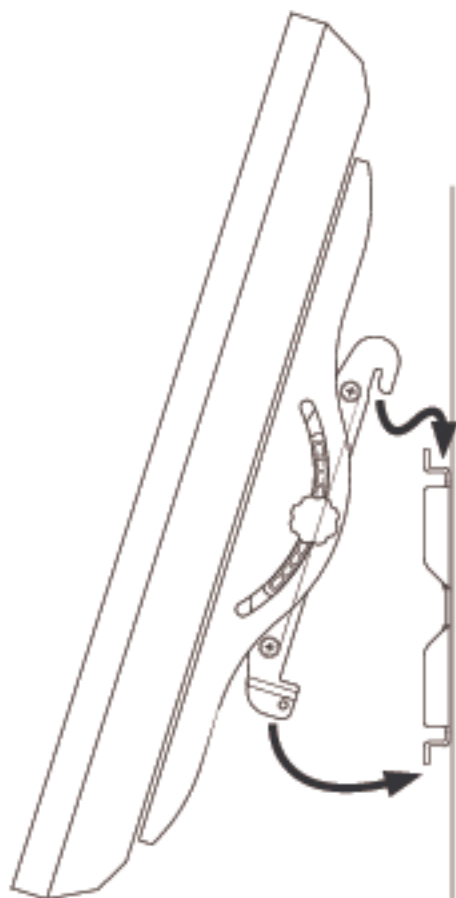
2-2



Use washer [21] with M4 or M5 hardware.
Use washer [22] with M6 or M8 hardware.

OPT Use washer [21] with M4 or M5 hardware only.

3

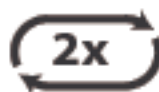
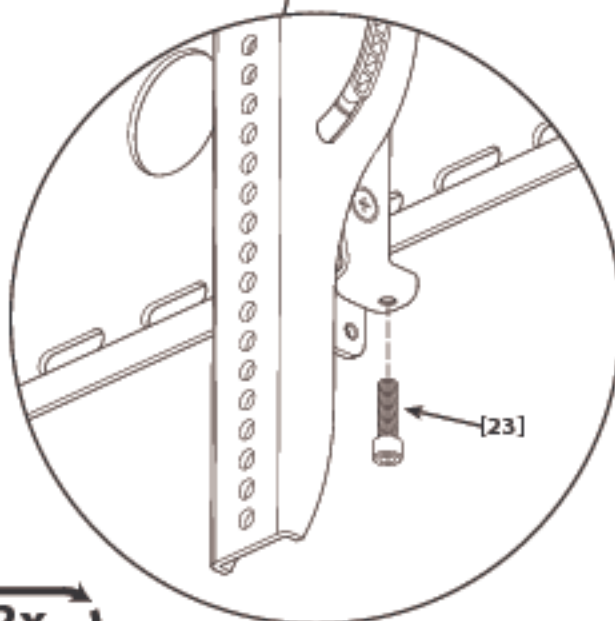


HEAVY! You will need assistance with this step.

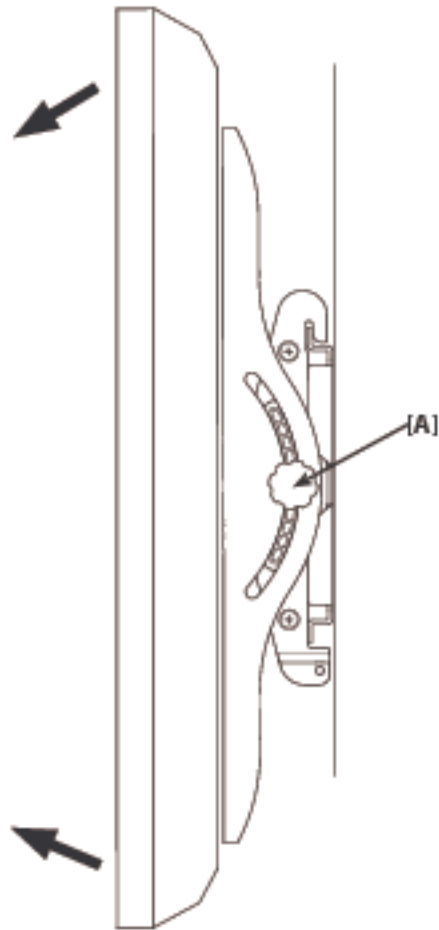
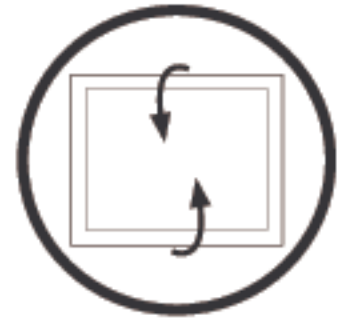


CAUTION

Avoid potential personal injuries or property damage! Be sure to install the safety bolts [23]. Periodic tightening may be required.



4



Adjust up / down pitch.
Use the tension knob [A] to adjust the pitch tension.

CSAW, Inc. and its affiliated corporations and subsidiaries (collectively "CSAW"), intend to make this manual accurate and complete. However, CSAW makes no claim that the information contained herein covers all details, conditions, or variations. Nor does it provide for every possible contingency in connection with the installation or use of this product. The information contained in this document is subject to change without notice or obligation of any kind. CSAW makes no representation of warranty, expressed or implied, regarding the information contained herein. CSAW assumes no responsibility for accuracy, completeness or sufficiency of the information contained in this document.