

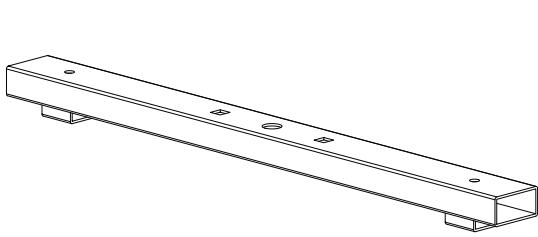
# Vuepoint™

## Assembly Instructions for Model: TBR

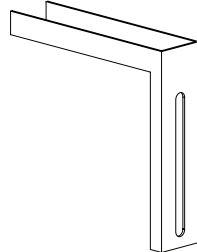
Thank you for purchasing a Vuepoint™ product. This product is designed to hold a VCR, DVD player, or cable / satellite box under a television wall mount. It will accommodate one component up to 15 lbs. Check carefully to make sure there are no missing or defective parts. Never use defective parts. Improper installation may cause damage or serious injury. If you do not understand these directions, or have any doubts about the safety of the installation, please call a qualified contractor or contact Sanus Systems at 800.359.5520 or visit [www.sanus.com](http://www.sanus.com). We can quickly assist you with installation questions and missing or damaged parts. Replacement parts for Sanus products purchased through authorized dealers will be shipped directly to you.

**Required Tools:** Ratchet or wrench set

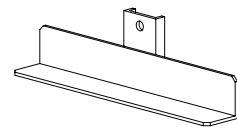
**Supplied Parts:** \*Some parts **NOT** shown as actual size



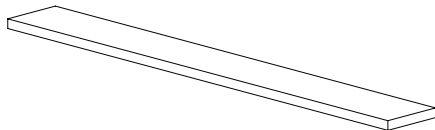
(1) Main Arm - a\*



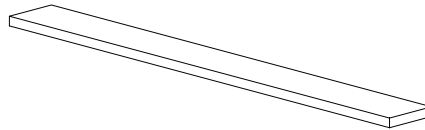
(2) Extension Arm - b\*



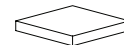
(2) Component Holder - c\*



(2) 17 mm Wide Foam Pad - d\*



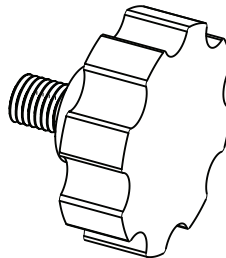
(2) 15 mm Wide Foam Pad - e\*



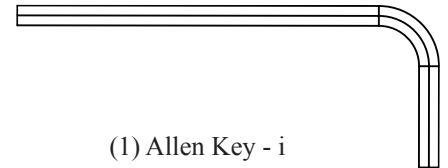
(2) Square Foam Pad - f\*



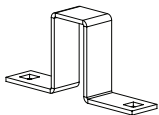
(2) Set Screw - g



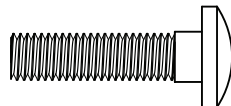
(2) Knob - h



(1) Allen Key - i



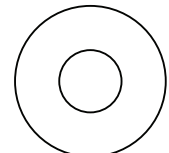
(1) Mount Bracket - j\*



(2) 6 mm Diameter Bolt - k



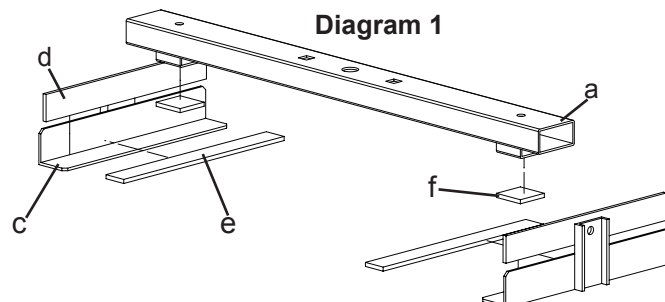
(2) 6 mm Diameter Nut - l



(2) Washer - m

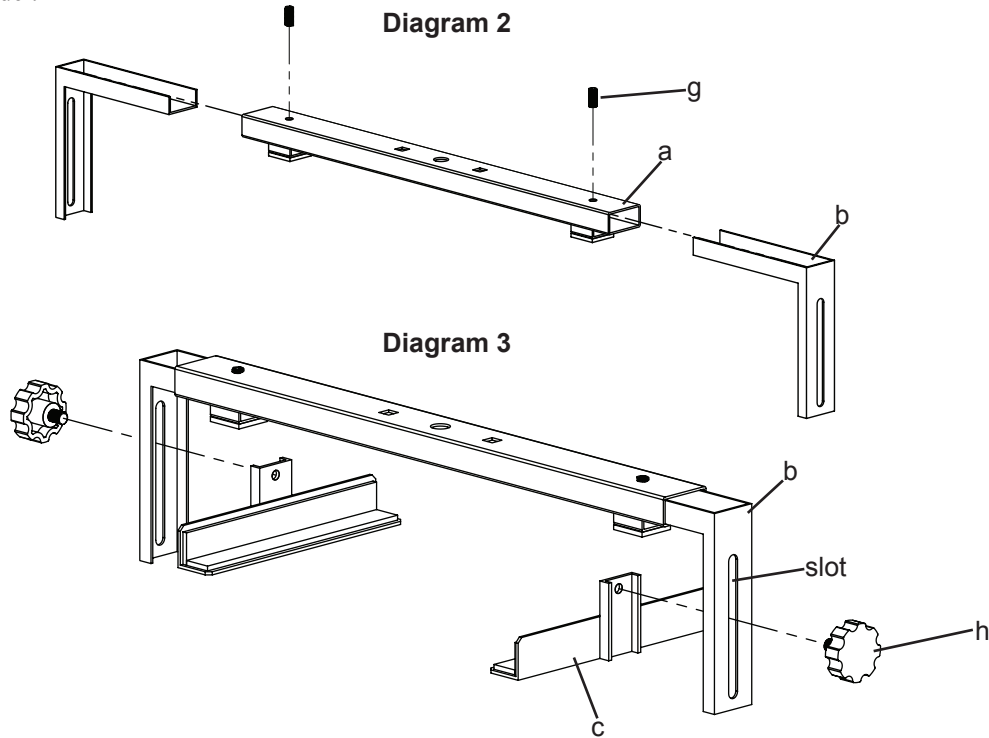
**Step 1:** Place the 2 Square Foam Pads (f) onto the 2 square surfaces on the bottom of the Main Arm (a) as shown in Diagram 1.

Place a 17 mm Wide Foam Pad (d) onto the vertical side of each Component Holder (c). Next, place a 15 mm Wide Foam Pad (e) onto the horizontal side of each Component Holder as shown in Diagram 1.

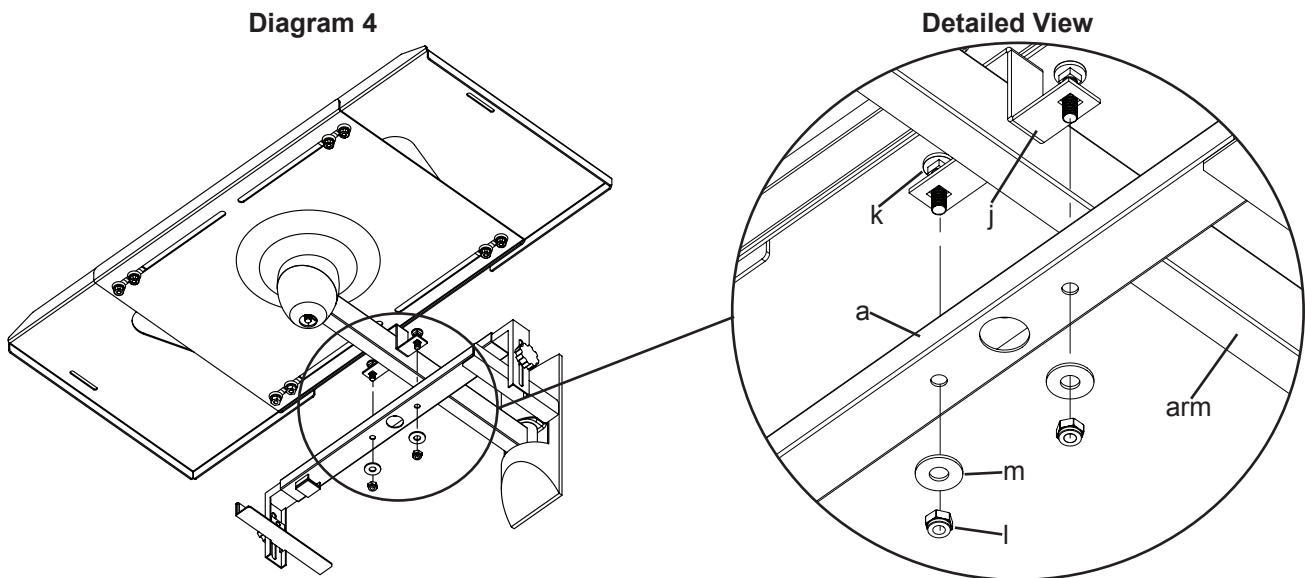


**Step 2:** Add an Extension Arm (b) to each side of the Main Arm (a). Lock each Extension Arm into place at the desired width using a Set Screw (g). Tighten the Set Screw with the Allen Key (i). See Diagram 2 for assistance.

**Step 3:** A Component Holder (c) fits into the track on the inside of each Extension Arm (b). Insert a Knob (h) through the slot in the Extension Arm from the outside and thread it into the hole in each Component Holder as shown in Diagram 3 below. Repeat process for the other Component Holder.



**Step 4:** Place the Mount Bracket (j) over the Arm of the TV wall mount. Place both 6 mm Diameter Bolts (k) down through the Mount Bracket so that the square neck of the bolts fit into the square holes in the bracket. Add the component bracket to the assembly so that the two 6 mm Bolts (k) fit down through the two square holes in the Main Arm (a), a Washer (m), and tighten a 6 mm Nut (l) onto each 6 mm Bolt. See the Detailed View of Diagram 4 for assistance. Tighten each Nut with the appropriate wrench or socket.



**Step 5: Adjustments can be made by:**

- Adjusting the Knob (h) and sliding the Component Holders (c) vertically in the slot of the Extension Arm (b).
- Adjusting the Set Screws (g) and sliding the Extension Arms (b) horizontally inside the Main Arm (a).

**Note:** Adjust the bracket until the component is secured against the foam pads.